

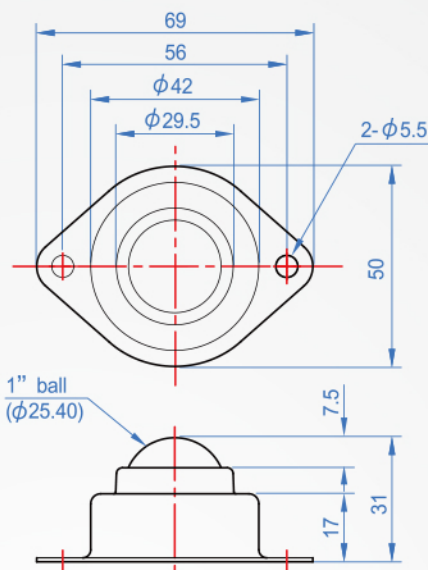
Rhombus type-chip removal

BR805

Press molding



Example



Chip removal hole

※ Ball rolling becomes not smooth, dust will be discharged through the cracks, so that can keep the ball rolling smoothly.

How to order

BR805 - C-8Y-SL4
TYPE Code



Unit : mm

| Code | Allowable load | Main ball | Auxiliary ball | Main part | Support dish | Weight (g) |
|----------|----------------|-----------|----------------|-----------|--------------|------------|
| C-8Y-SL4 | 30 kg | Steel | Steel | Steel | SUS | 138 g |
| S-8Y-SL4 | 30 kg | SUS | SUS | SUS | SUS | 134 g |

Note