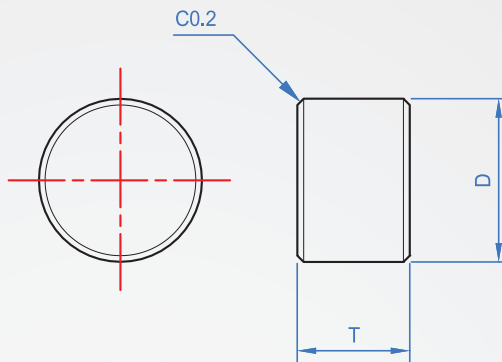


銅擋片

WA751



How to order

WA751 - 4C

 TYPE No.



單位 :mm

No.	D	T	適用螺絲
3C	2.2	1	M3
4C	3	1	M4
5C	4.1	1	M5
6C	5	1.5	M6
8C	6.5	2	M8