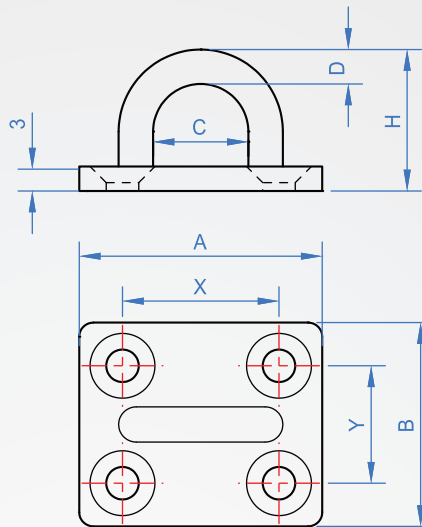


4-hole lifting eye

WA767

Material

SUS304

How to order

WA767 - 6
 TYPE D

1

Unit : mm

D	A	B	C	H	X	Y	Flat head screw	Quality(g)
5	34	30	14	21	22	18	M4	26
6	40	34	18	25	25	20	M4	40
8	50	40	22	32	35	25	M5	64

Che Na

FAX 886-2688-3177

info@chena.com.tw

886-22688-3188
886-2688-3881-3No.21, Guangrong St. Shulin Dist.,
New Taipei City 238 Taiwan (R.O.C.)