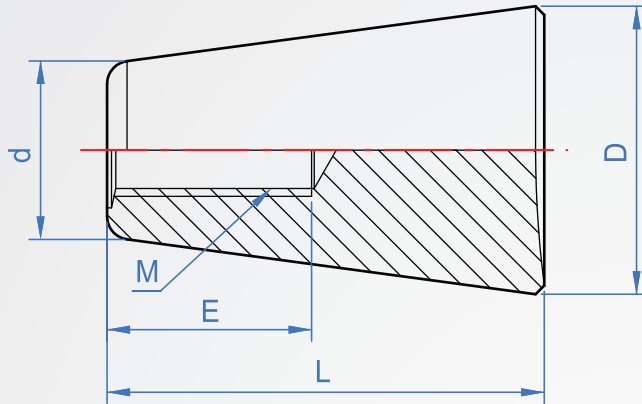


Taper knob
HA968

Material	Finish
Bakelite(Black)	Mat



How to order

HA968 - M5 - 30
TYPE M L

1		2		Unit : mm	
M	L	D	d	E (min)	Quality (g)
M5	30	20	12	18	8
M6	38	25	15	18	7
M8					16
M10	46	30	18	18	15
M12	53	35	21	21	28
					26
					46
					44

Copyright © CHENA INDUSTRIAL CO.,LTD ALL RIGHTS RESERVED.