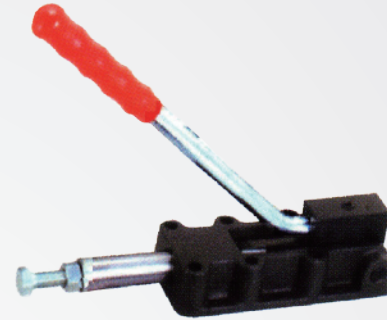
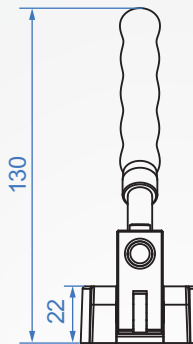
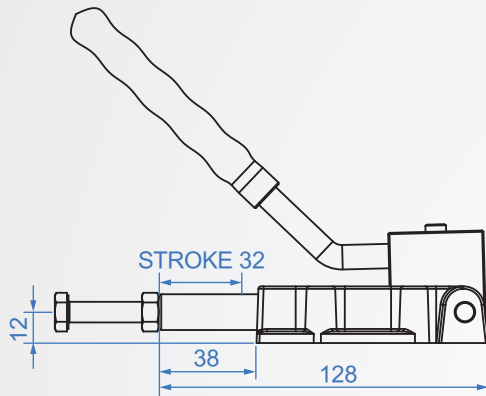
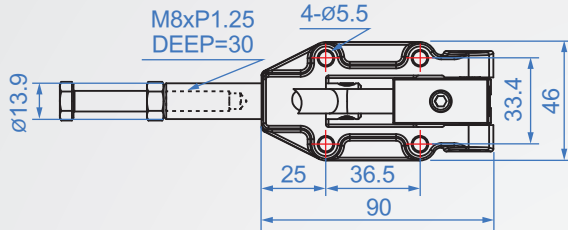


## GH30600-HL



### GH30600-HL

Material : SS400 Finish : Zinc plated

Unit : mm

Code No.	Clamping force(kg)	weight (g)	Hadle moving	Chuck moving	Front-end accessories
GH30600-HL	600	680	185	32	NSA-086512

1N=0.102kgf