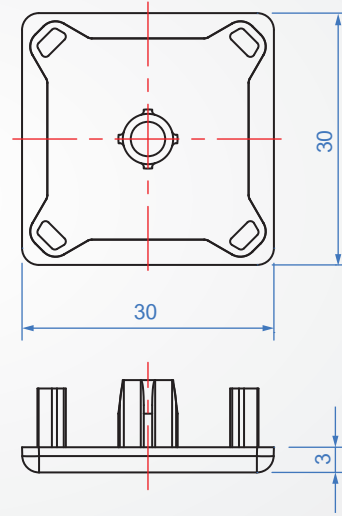
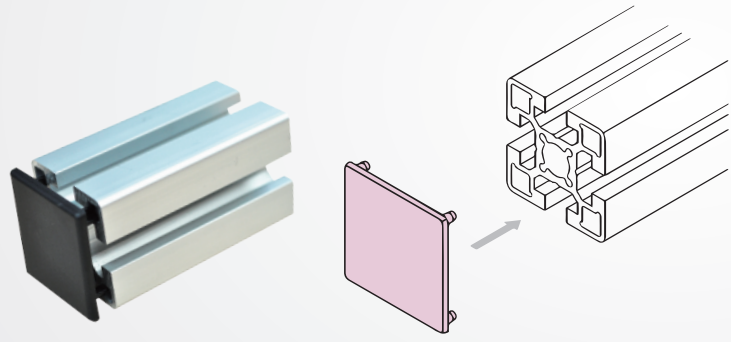


Aluminum end cap  
**SF903-2**  
 30 series



Material	Color
Polyamine (PA)	Black
	Silver

How to order

SF903-2 -   
 TYPE

Choose the color

Silver.....  SR

Black.....  BK