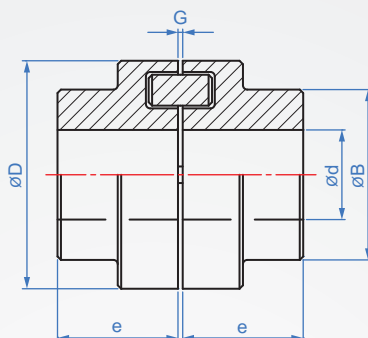
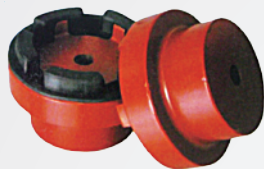


Rubber ring CH425 Key slot

■ Product specialty :

Low vibration, low impact and no noise. Easy alignment between shafts and easy installation. Durable and economical. No need to refuel, no maintenance.

Ontology	Cushioning material
Steel	Rubber



How to order

1 2
 CH425 - 67 - 9x25
TYPE D d1xd2

unit : mm

D	Inner hole designation		B	e	G	Tolerance	Allowable torque (N/m)	Max. number of revolutions (RPM)	Weight (kg)
	d1 - min.	d2 - max.							
67	9 ~ 28		46	30	2.5	±0.5	2.2	10000	1
82	10 ~ 32		53	40	3	±1	5	8000	1.8
97	12 ~ 42		69	50			10.5	7000	3.3
112	14 ~ 48		79	60	3.5	±1	16.7	6000	5.2
128	18 ~ 55		90	70			26.7	5000	8
148	22 ~ 65		107	80			41.7	4500	12.7
168	28 ~ 75		124	90			69.5	4000	19.3
194	32 ~ 85		140	100	4	±2	112	3500	26.3
214	45 ~ 95		157	140			167	3000	35.7
265	70 ~ 120		198	120	5.5	±2.5	417	2500	66.3

1kgf=9.8 Newton(N)

■ New JIS keyway(DIN6885)

Shaft aperture	b(Js9)	Tolerance	t	Tolerance	Key size	Fixing screw
9~10	3	±0.0125	1.4	+0.1 0	3x3	M4
11~12	4	±0.015	1.8		4x4	M5
13~17	5		2.3		5x5	M6
18~22	6	2.8	6x6			
23~30	8	±0.018	3	+0.2 0	8x7	M8
31~38	10		3.3		10x8	
39~44	12	±0.021	3.3		12x8	M10
45~50	14		3.8		14x9	
51~58	16		4.3	16x10		
59~65	18	±0.026	4.4	18x11	M12	
66~75	20		4.9	20x11		
76~85	22		5.4	24x12		
86~95	25		5.4	25x14	M14	