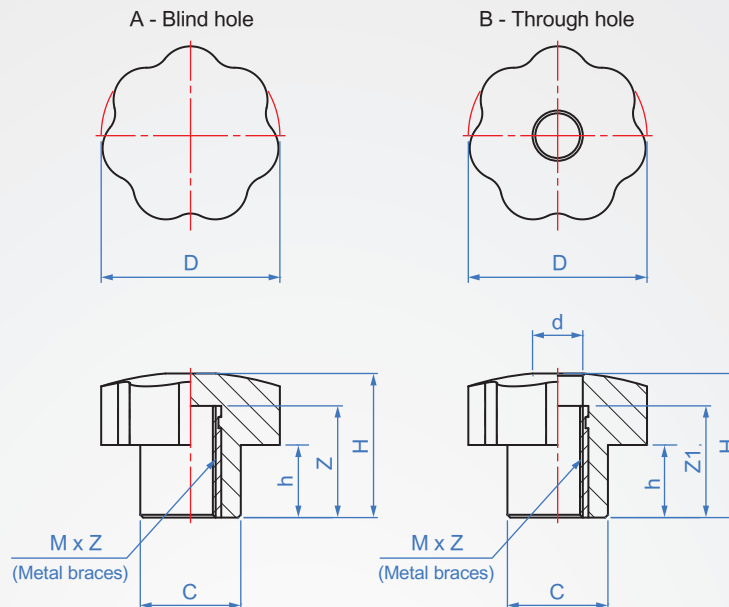


Seven-jaw bakelite knob

**VN979** Internal thread

Grip

Black bakelite

Oil resistance and wear resistance.

How to order

VN979 - A - M6  
 TYPE Shape M

unit : mm

Shape	M Thread	Pitch	C	d	D	h	H	Blind hole Z	Through hole Z1	weight(g)	
										Blind hole	Through hole
A (Blind hole)	M6	1	15	8	25	9	20	12	12	9.7	8.7
	M8	1.25	18	9	32	13	26	16	20	18.6	17.8
	M10	1.5	22	11	40	15	30	18	20	30.6	30.7
B (Through hole)	M12	1.75	29	15	50	16	32	25	25	53.9	56.7
	M16	2	31	18	63	18	38	28	28	94.9	88.9

Che Na

886-2688-3177

info@chena.com.tw

 886-22688-3188  
886-2688-3881~3

 No.21, Guangrong St. Shulin Dist.,  
New Taipei City 238 Taiwan (R.O.C.)