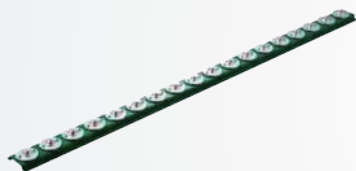


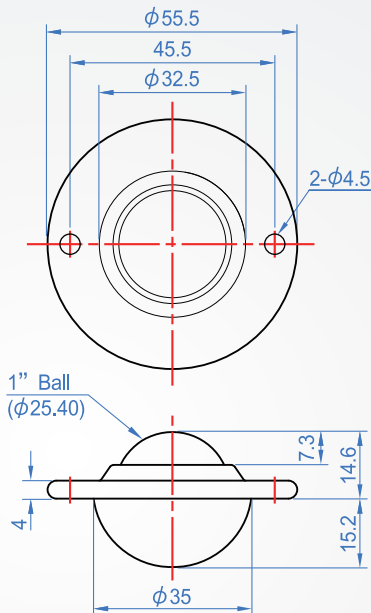
Dish type-chip removal

BR806

RoHs



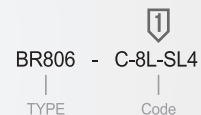
Example



Chip removal hole

※ Ball rolling becomes not smooth, dust will be discharged through the cracks, so that can keep the ball rolling smoothly.

How to order



BR806 - C-8L-SL4

TYPE

Code



Unit : mm

Code	Allowable load (kg)	Main ball	Auxiliary ball	Main part	Support dish	Weight (g)
C-8L-SL4	30	Steel	Steel	Steel	SUS	129
S-8L-SL4	30	SUS	SUS	SUS	SUS	127