

Heavy weight load type

BR812



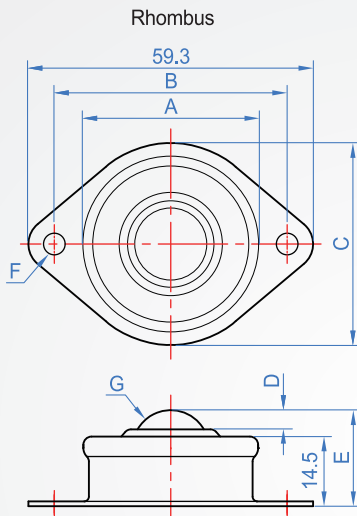
C-5L-5



S-5L-5



P-5L-5



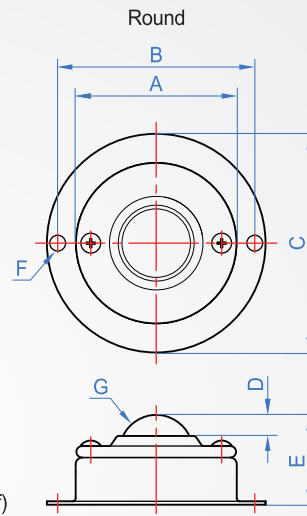
C-8L-5



C-8L-6



C-12L-5 (Dust-proof)



How to order

BR812 - P-5L-5
TYPE Code

Copyright © CHENA INDUSTRIAL CO., LTD ALL Rights Reserved.

														Unit : mm
Shape	Allowable load	Code	Main ball	Auxiliary ball	Main part	Holder	Weight (g)	A	B	C	D	E	F	G
Rhombus	2 kg	P-5L-5	Nylon	Steel	Steel	Steel	39	36.8	48.5	42	4	20	2- ϕ 4.5	5/8"球 (ϕ 15.875)
	8 kg	C-5L-5	Steel				53							
		S-5L-5	SUS	SUS	SUS	SUS	55							
Round	30 kg	C-8L-5	Steel	Steel	Steel	Steel	181	101	P.C.D.112	120	7.3	51	2- ϕ 5.5	1"球 (ϕ 25.40)
		*C-8L-6					206							
	60 kg	C-12L-5	708	12	54.5	6- ϕ 5.5	1 1/2"球 (ϕ 38.10)							

※Stamped products, low price, and * C-8L-6 heightened installation height.