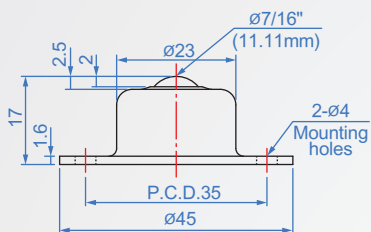
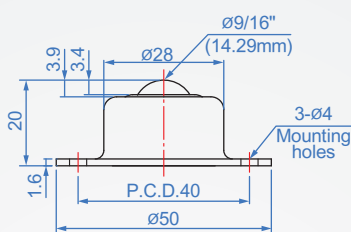


IS (Upward Dedicated)

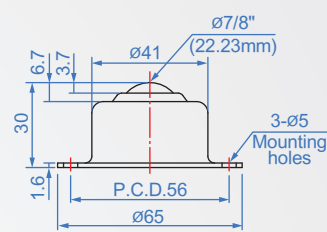
IS-10 Iron
IS-10-SUS SUS
 Load 40 kgf
 Net weight 0.06 kg



IS-13 Iron
IS-13-SUS SUS
 Load 50 kgf
 Net weight 0.09 kg



IS-19 Iron
IS-19-SUS SUS
 Load 100 kgf
 Net weight 0.25 kg

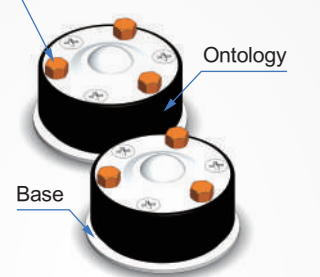


This series is for upward use, the lower flange mounting hole is fixed, and the strength is high. You can drill holes according to the position of the base mounting hole during installation. The main and auxiliary beads made of steel are SUJ2, and the main and auxiliary beads made of stainless steel are SUS440C.

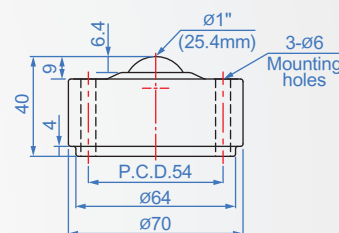
Considering the height tolerance of the universal ball and the surface tolerance of the load-bearing object, if the load is set to the limit load contained in the catalog, when the partial load or concentrated load is generated on the universal ball, compared with the ideal method of use, the dynamic friction resistance and durability are made.

The performance will be significantly reduced, so it is recommended to set the load bearing to about 1/2 of the load when using lightweight universal ball, and the load is recommended to be set to about 2/3 of the load when using heavy universal ball.

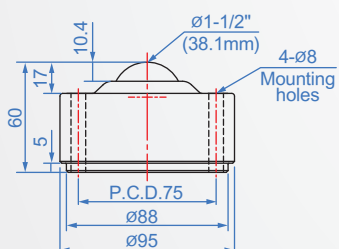
※ Mounting holes can be used low head screws or hex screws



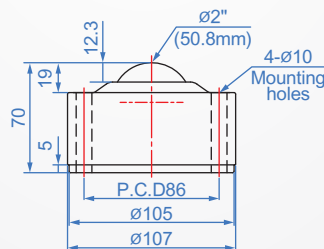
IS-25 Iron
IS-25-SUS SUS
 Load 150 kgf
 Net weight 0.9 kg



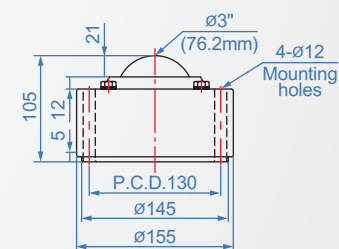
IS-38 Iron
IS-38-SUS SUS
 Load 250 kgf
 Net weight 2.3 kg



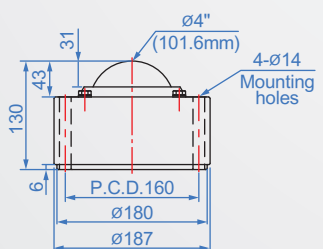
IS-51 Iron
 Load 300 kgf
 Net weight 3.2 kg
 With felt pad



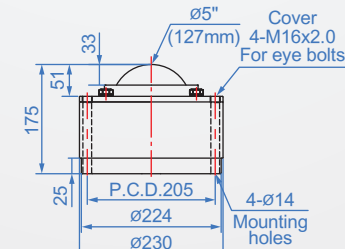
IS-76 Iron
 Load 450 kgf
 Net weight 10.5 kg
 With felt pad



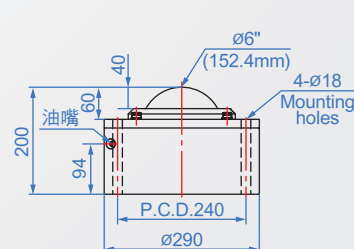
IS-100 Iron
 Load 1000 kgf
 Net weight 18.5 kg
 With felt pad



IS-127 Iron
 Load 1500 kgf
 Net weight 39.6 kg
 With felt pad



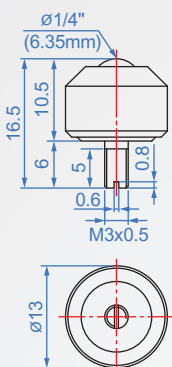
IS-150 Iron
 Load 2500 kgf
 Net weight 71.4 kg
 With felt pad



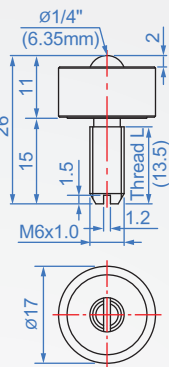
Copyright © CHENA INDUSTRIAL CO., LTD ALL RIGHTS RESERVED.

IS-N (Upward Dedicated)

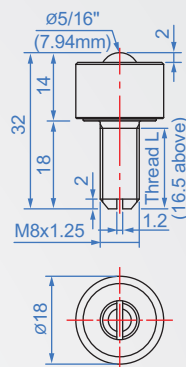
IS-05N Iron
IS-05SN SUS
 Load 10 kgf
 Net weight 0.01 kg



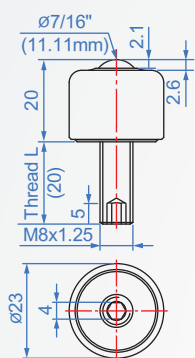
IS-06N Iron
IS-06SN SUS
 Load 20 kgf
 Net weight 0.02 kg



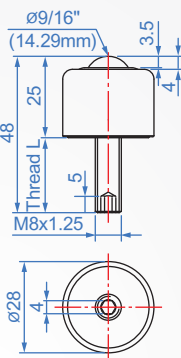
IS-08N Iron
IS-08SN SUS
 Load 30 kgf
 Net weight 0.03 kg



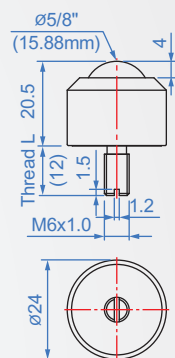
IS-10N Iron
IS-10SN SUS
 Load 40 kgf
 Net weight 0.06 kg



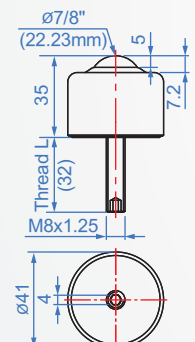
IS-13N Iron
IS-13SN SUS
 Load 50 kgf
 Net weight 0.1 kg



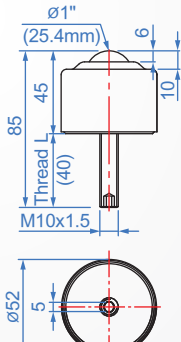
IS-16N Iron
IS-16SN SUS
 Load 70 kgf
 Net weight 0.05 kg



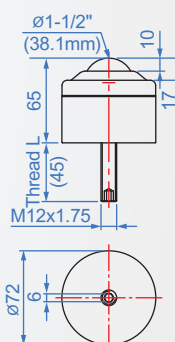
IS-19N Iron
IS-19SN SUS
 Load 100 kgf
 Net weight 0.29 kg



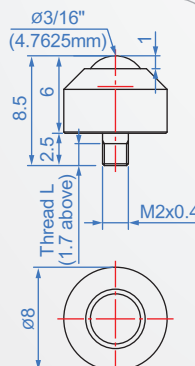
IS-25N Iron
IS-25SN SUS
 Load 150 kgf
 Net weight 0.6 kg



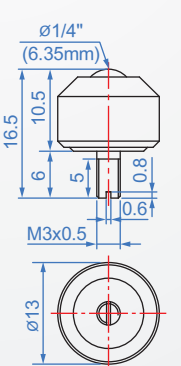
IS-38N Iron
IS-38SN SUS
 Load 250 kgf
 Net weight 1.6 kg



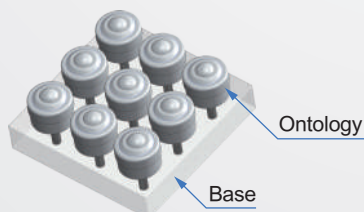
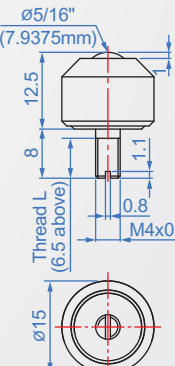
IS-05SNM SUS
 Load 5 kgf
 Net weight 0.003 kg



IS-06SNM SUS
 Load 10 kgf
 Net weight 0.011 kg



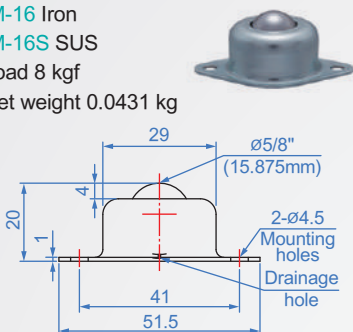
IS-08SNM SUS
 Load 15 kgf
 Net weight 0.021 kg



Retaining the characteristics of the IS ball bearing, and adding new bolts for easier installation, it can also design and manufacture nylon ball, ceramic ball, dust-proof type, lubricating oil injection joint, hard plating and other products.

IM、US、IA、IB (Upward Dedicated)

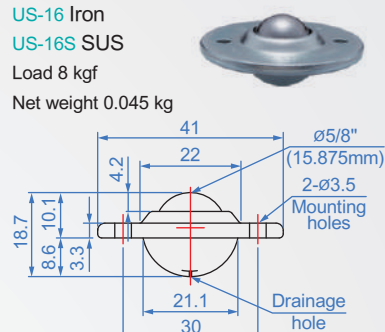
IM-16 Iron
IM-16S SUS
Load 8 kgf
Net weight 0.0431 kg



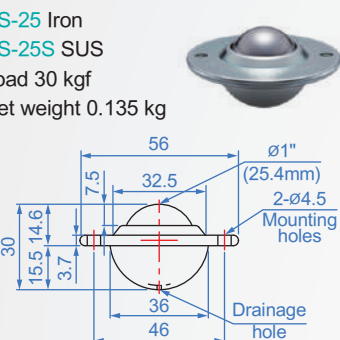
IM-25 Iron
IM-25S SUS
Load 30 kgf
Net weight 0.145 kg



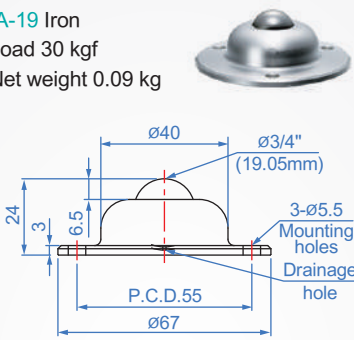
US-16 Iron
US-16S SUS
Load 8 kgf
Net weight 0.045 kg



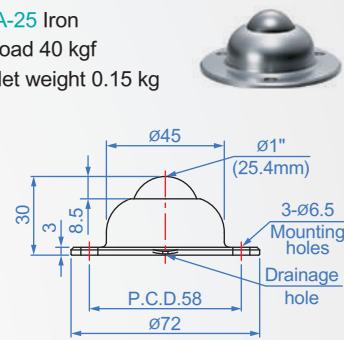
US-25 Iron
US-25S SUS
Load 30 kgf
Net weight 0.135 kg



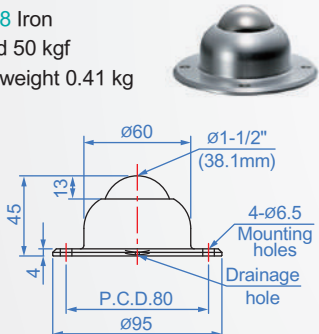
IA-19 Iron
Load 30 kgf
Net weight 0.09 kg



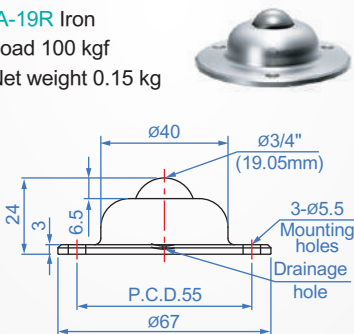
IA-25 Iron
Load 40 kgf
Net weight 0.15 kg



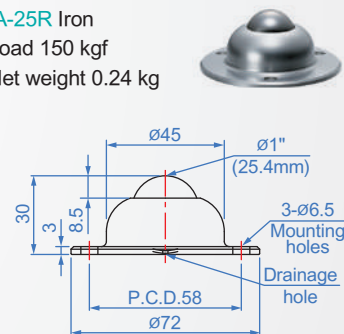
IA-38 Iron
Load 50 kgf
Net weight 0.41 kg



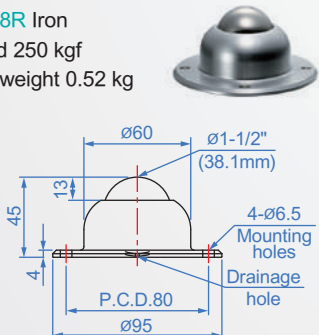
IA-19R Iron
Load 100 kgf
Net weight 0.15 kg



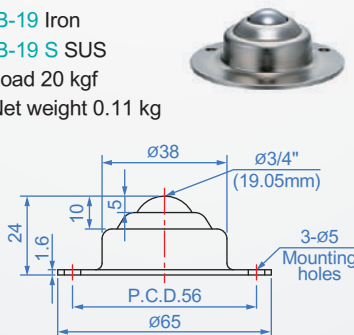
IA-25R Iron
Load 150 kgf
Net weight 0.24 kg



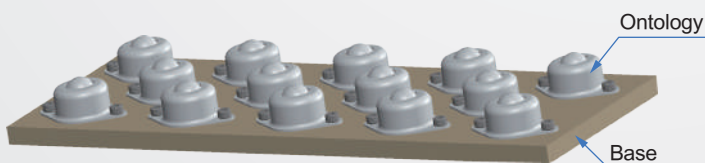
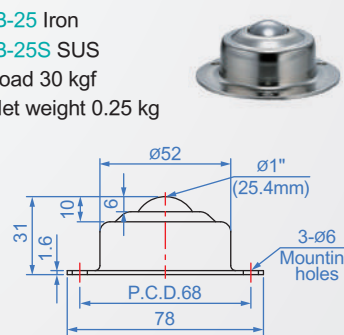
IA-38R Iron
Load 250 kgf
Net weight 0.52 kg



IB-19 Iron
IB-19 S SUS
Load 20 kgf
Net weight 0.11 kg



IB-25 Iron
IB-25S SUS
Load 30 kgf
Net weight 0.25 kg



Light weight and easy installation, because of the internal structure, it is not suitable for downward use.

Copyright © CHENA INDUSTRIAL CO.,LTD ALL Rights Reserved.