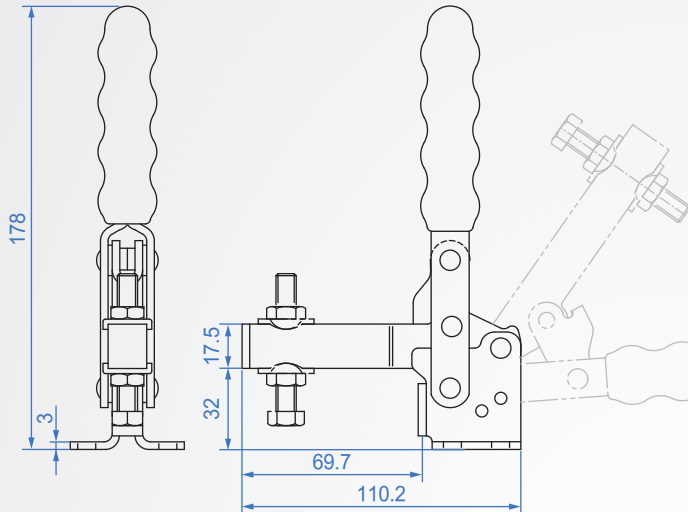
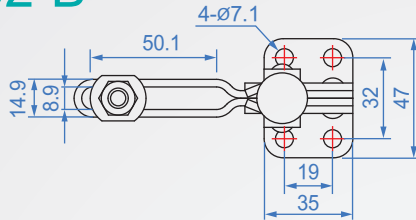


## GH12502-B



### GH12502-B

Material : SS400 Finish : Zinc plated

unit : mm

Code No.	Clamping pressure (kg)	weight (g)	Handle movement	Chuck movement	Front end fitting
GH12502-B	250	435	70°	90°	NSA-085012