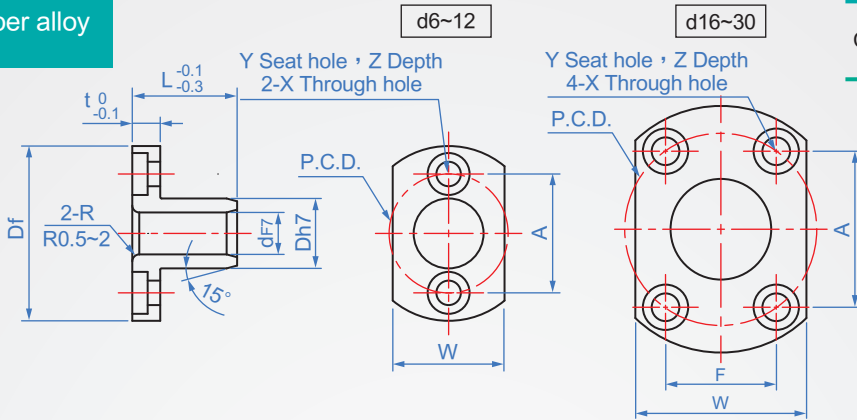


Two-sided flange
BC253 Copper alloy

Material	Heat resistant temperature
Copper alloy	-50~200°C



How to order

1 2 3
 BC253 - 6 - 10 - 20
TYPE d D L

unit : mm																				
Bow for the screw																				
d	F7	D	h7	L						Df	P.C.D.	W	F	A	t	X	Y	Z		
6	+0.022 +0.010	10	0 -0.015	15	20					25	17	16		17						
8	+0.028 +0.013	12	0 -0.018		20	25				27	19	18		19	4	3.5	6	2.2	M3-10	2 holes
10		14			20	25				29	21	20		21						
12	+0.034 +0.016	18			25	30				36	26	24		26						4 holes
16		22	0 -0.021		25	30	35	40		40	30	28	18	30	5	4.5	7.5	3	M4-12	
20	+0.041 +0.020	28				30	35	40	50	49	38	34	22	38	6	5.5	9	3.7	M5-16	
25		33	0 -0.025			30	35	40	50	60	54	43	39	25	43					
30		38				35	40	50	60	70	63	50	44	30	50	8	6.6	11	4.2	M6-20

Copyright © CHENA INDUSTRIAL CO., LTD ALL RIGHTS RESERVED.