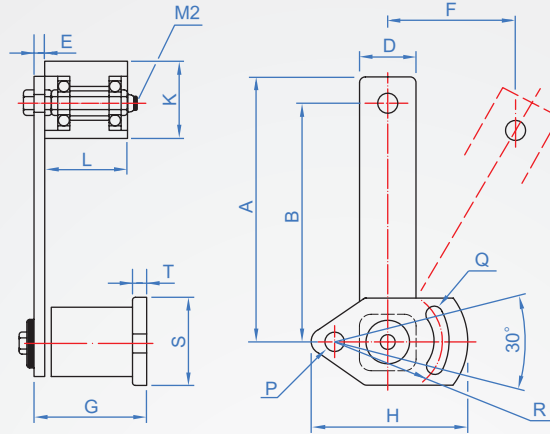


Elastic idler wheel with plane wheel

## RS353



※The dimensional drawing is the forward tension.  
If you need to reverse the use, please order it.

Plane wheel		Bracket	
Material	Rubber Cover Bearing	Material	Finish
Engineering plastic	6201	SS41	Black

### How to order

RS353 - <sup>1</sup>15 - <sup>2</sup>45  
TYPE      Max. load      L

Max. load kgf	Wheel section			A	B	D	E	F Max. displacement	G ±1	H	I	J	S	T	P	Q Groove width	R	V	weight (g)	
	K	L	M2																	
5	25	14	M6x30	47	40	16	4	20	30	30	13	12	20	4	5.2	-	-	-	100	
10	45	27	M10x50	92	80	20	5.5	40	51	52	17	18	35	6	7	7	35	17.5	310	
13				70	60			30											300	
15		45	M10x60	112	100	25	5.5	50	63	70	25	25	40	8	8.5	8.5	50	25	510	
15				80	70			35											530	
21		27	45	M10x60	80	70	7	35	35	91	80	29	31	50	12	9	8.5	60	30	500
21		45																		520
45		65	M12x80	125	110	38	5.5	55	55	91	80	29	31	50	12	9	8.5	60	30	995

※The roller unit L14, 27 is a single bearing.