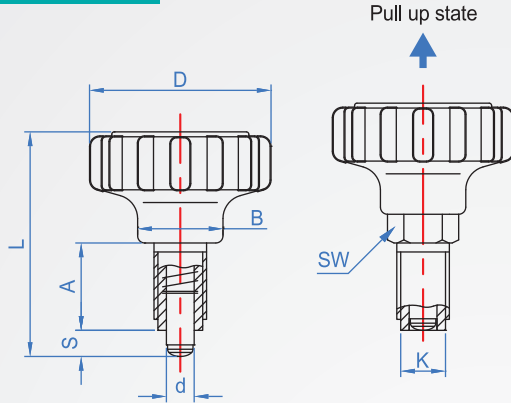


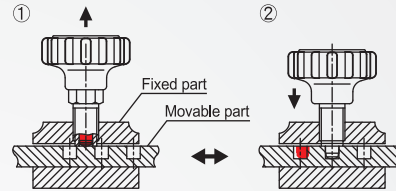
Clamping Knob IP645



Main part	d Pin	Spring	D knob
Steel (Trivalent chromium)	Stainless steel	Stainless steel	Nylon 6 (Mat Black)

Method of operation

- ① Pull the knob up, latch sink into the body, positioning can be relieved. Movable B part can move and reposition.
- ② Release knob, the force of the internal spring can make pin into the positioning hole of the movable part.



How to order

1 2
 IP645 - M12 - 53
TYPE M L

M	Pitch	L	d <small>^{-0.02}_{-0.04}</small>	D	K	B	S	A	Load (N)	
									min.	max.
M10	1	45	5	34	8.6	15.5	5	19	7	17
M12	1.5	53	6	42	9.9	19	6	21	9	24
M12	1.5	59	6	53	9.9	22.5	6	21	9	24
M16	1.5	68	8	53	13.9	22.5	8	28	11	30

kgf=N×0.102