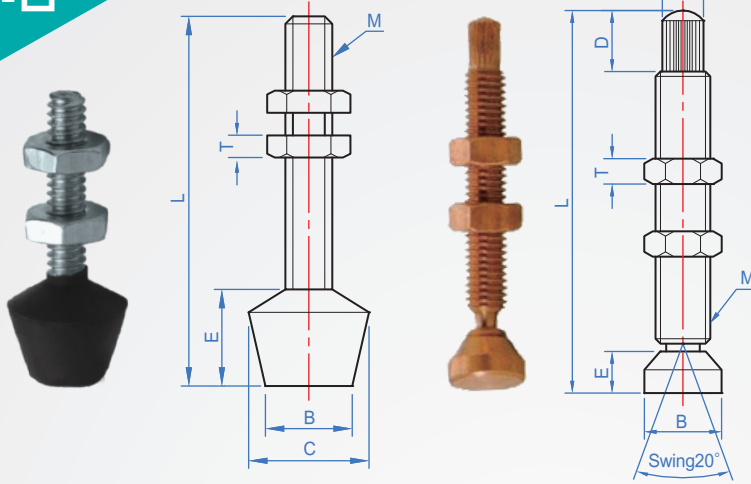


Clamp accessories  
**GH999-□**

A : Plastic head

B : Activity head



Appearance	Ontology	Head
A	Steel (Galvanized)	NBR (synthetic rubber) Xiao A70
B	Steel (Copper plating)	Swingable 20°

How to order

GH999 - M4 - 42 -

TYPE Thread Length

Choose appearance

Plastic head.....  A

Activity head.....  B

Unit : mm

Appearance	M	Pitch	L	B	E	T	S	C	D	H	
A (Plastic head)	M4	0.7	25 ∨ 42	8	10	3.2	7	12	-	-	
	M6	1.0	44 ∨ 51	10	14	5	10	16			
	M8	1.25	63 ∨ 75	12	18.5	6.5	13	19			
	M10	1.5	85	16	25	8	17	24			
	M12	1.75	100	22	26	10	19	32			
	10-24	-	35	11	11	1/8"	3/8"	14			
	1/4-20	-	45 ∨ 54	10	12	7/32"	7/16"	16			
	5/16-18	-	64 ∨ 76	12	18	17/64"	1/2"	18			
	3/8-16	-	89 ∨ 114	14	25.5	21/64"	9/16"	22			
1/2-13	-	95	24	26	7/16"	3/4"	30				
B (Activity head)	M5	0.8	35	12	10	4	8	-	-		
	M6	1.0	50			5	10				
	M8	1.25	65			6	13				
	M10	1.5	85	20	15	8	17				
	M12	1.75	100			10	19				
	M16	2.0	152	45	30	13	24				
	1/4-20	-	57	13	9.5	7/32"	7/16"			8.5	4.8
	5/16-18	-	69	14	10	17/64"	1/2"			10	6
	3/18-16	-	77	16	11	21/64"	9/16"			13.8	7.2
	1/2-13	-	102	19	12	7/16"	3/4"			18.3	9.5