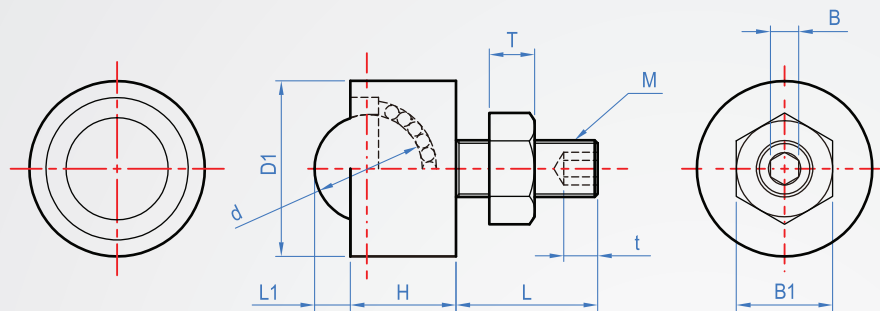


Nut fixed type

BR865

SUS

Main part	Cover	Hex nut	Main ball	Auxiliary ball
SUS304	SUS304	SUS304	SUS440C HRC55	SUS440C HRC55



How to order

BR865 - 12

 |

 TYPE D1

1

Unit : mm

D1	L1	H	L	M	t	B	d	Hex nut		Load N
								T	B1	
12	1.5	6.5	15	6	3.5	3	5.56	5	10	41
16	2.5	9.5					8.73			55
19	3.5	11.5	20	8	5	4	10.32	6.5	13	62
25	5.3	14.7					15.88			343
31	6.3	18.7	25	10	6	5	19.05	8	17	412

kgf=N×0.101972