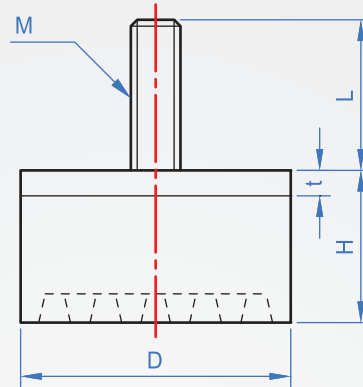
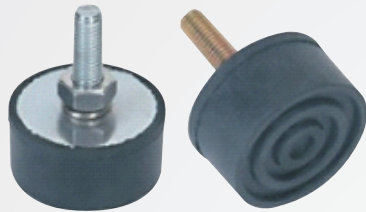


Shockproof foot
VB995 Column type



Main part	Metal part	Finish
NR rubber	Steel-SS41	Multicolored plating
	SUS304	—

How to order

1
 VB995 - 30 -
TYPE D
 Material chosen
 Steel-SS41.....
 SUS304.....

D	H	t	Thread bolt			Load kgf	Use load kgf	Rigidity ratio kx / kz
			M	Pitch	L			
20	11	2	M6	1	20	16	4~12	0.19
30	15	2.3	M8	1.25	25	35	7~22	0.2
40	20	2.3			35	75	12~50	0.22
50	25	3.2	M10	1.5	40	120	20~75	0.19

※ Use :

Suitable for lightweight appliance without fixed floor use. Foot section with grooves to increase the stability of the load.
 Applicable : Generally used in office equipment, measuring instruments, electronic equipment, optical equipment, etc.