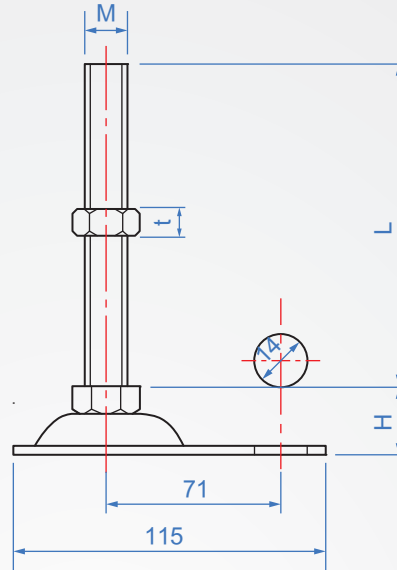


Disk foot
FT984 Droplike type



- SUS304 chassis is vibration-grinded for good appearance.
- The screw is made of multi-stroke equipment and is integrally formed with sufficient strength and good quality.
- Suitable for use in transportation equipment and clean room fences.



Body material

SUS304

Base

Vibration grinding

How to order

1 2
 FT984 - M16 - 100
TYPE M L

1		2				unit : mm		
M	Pitch	L				H	t	Allowable load (kg)
M12	1.75	50	75	100	150	19	10	200
M16	2	50		100	150	21	13	300