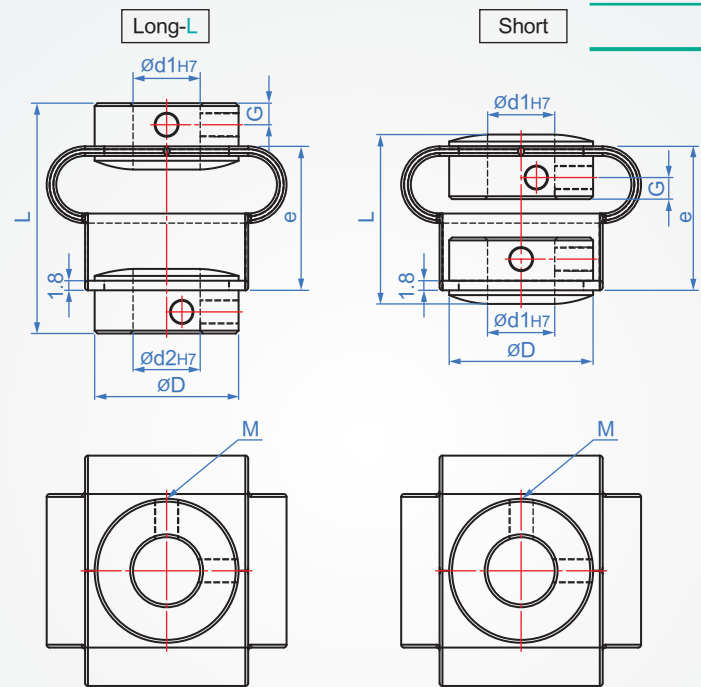


Flexible coupling
GS443
Telescopic

Ontology	Hexagon socket head cap screws
AL High strength aluminum alloy (White anode)	CM435 (Dye black)
SUS	SUS



How to order

GS443 - 15 - 5x5 -

TYPE D d1xd2

Select the body material

AL-High strength aluminum alloy... Blank

SUS..... SUS

D	Inner hole designation d1-d2		L	e	G	M	Max. torque (N · m)		Maximum return speed (rpm/min)	Moment of inertia (kg · m ²)		Allowable axial displacement (mm)	Allowable declination (°)	Weight(g)	
	min.	max.					AL	SUS		AL	SUS			AL	SUS
	unit : mm														
15	3	~ 8	24	2.5	20	M3	0.5	0.75	8000	4.5x10 ⁻⁴	9.0x10 ⁻⁴	+2 -5	2	8	12
15L	3	~ 8	31				0.8	1.2		6000	5.6x10 ⁻⁴			1.1x10 ⁻³	13
18	4	~ 10	28	3.1	25	M4	1	1.5	5000	7.0x10 ⁻⁴	1.4x10 ⁻³		3	34	51
18L	4	~ 10	36												
25	6	~ 15	45	3.8	39	M4	1	1.5	5000	7.0x10 ⁻⁴	1.4x10 ⁻³	3	34	51	
25L	6	~ 15	56												

Copyright © CHENA INDUSTRIAL CO.,LTD ALL RIGHTS RESERVED.