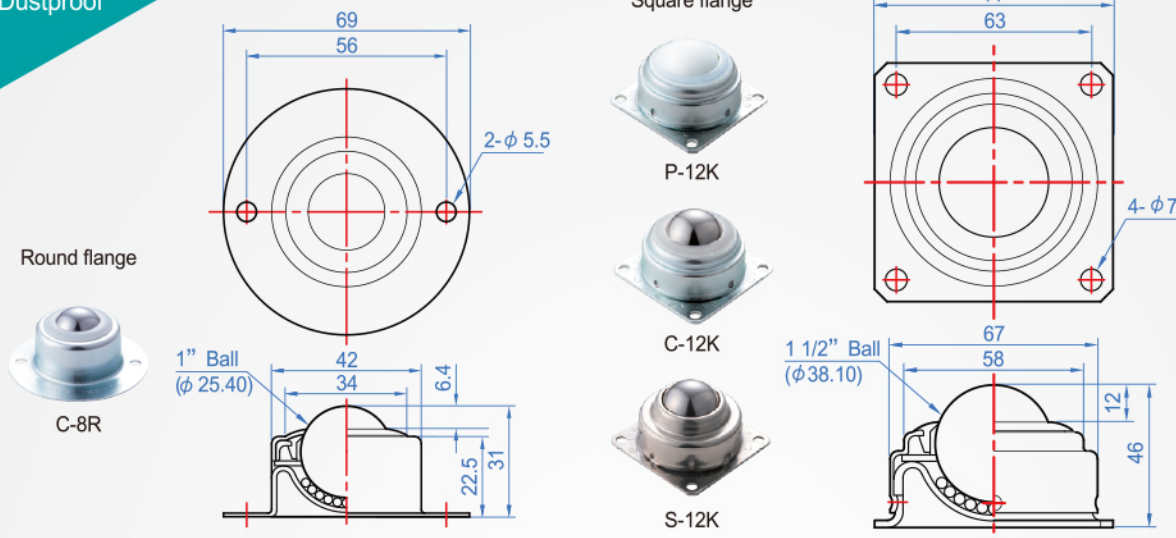


Heavy weight load

BR816

Dustproof

※Nylon dust cover buried (Except S-12K) waste reduction, dust intrusion, among press molding product belongs the heavy-duty type.



How to order

BR816 - P-12K
TYPE Code

Unit : mm						
Shape	Allowable load	Code	Main ball	Auxiliary ball	Main part	Weight (g)
Round flange	30 kg	C-8R	Steel			154
Square flange	10 kg	P-12K	Nylon	Steel	Steel	309
	60 kg	C-12K	Steel			495
		S-12K	SUS	SUS	SUS	467

Note