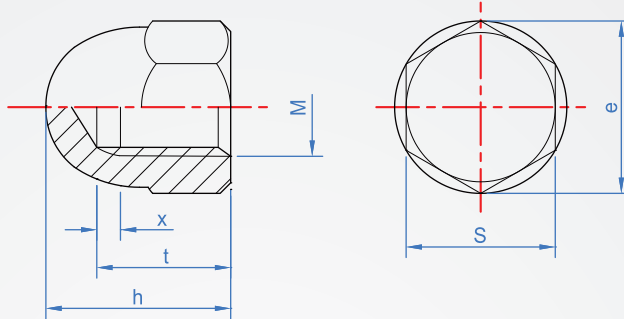


螺帽

Hex domed nuts

Hex cap nut

WA772



Material

SUS304

International norms DIN1587

How to order

WA772 - M3x0.5
 | |
 TYPE M x Pitch



Unit: mm

M x Pitch	h	t (max.)	S	e (min.)	x (max.)
M3 x 0.5	6	4	5.5	6.01	1
M4 x 0.7	8	5.74	7	7.66	1.4
M5 x 0.8	10	7.79	8	8.79	1.6
M6 x 1.0	12	8.29	10	11.05	2
M8 x 1.25	15	11.35	13	14.38	2.5
M10 x 1.5	18	13.35	17	18.9	3