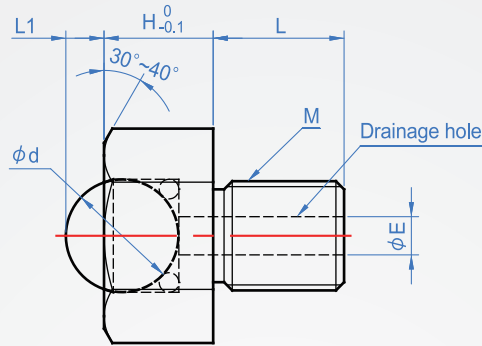
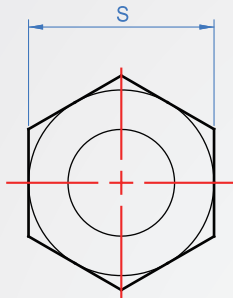


Hex head screw type

**BR872** POM

Main part	Main ball	Auxiliary ball
Resin (POM)	Resin (POM)	SUS440C HRC55~



How to order

BR872 - M6  
 |           |  
 TYPE     M



Unit : mm

M	L	L1	H	d	S	E	Load N
M4	5	1	4	3.18	7	0.8	1
M5	6	1.5	5	4.76	8	1.5	2
M6	8	1.7	6	5.56	10	2.5	4
M8	10	2.8	8	8.73	13	3	7
M10	12	3.5	10	10.32	17	3.5	11

kgf=N×0.101972