

Hex head screw type

BR874

PEEK

Main part

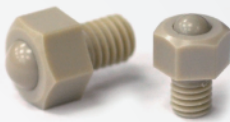
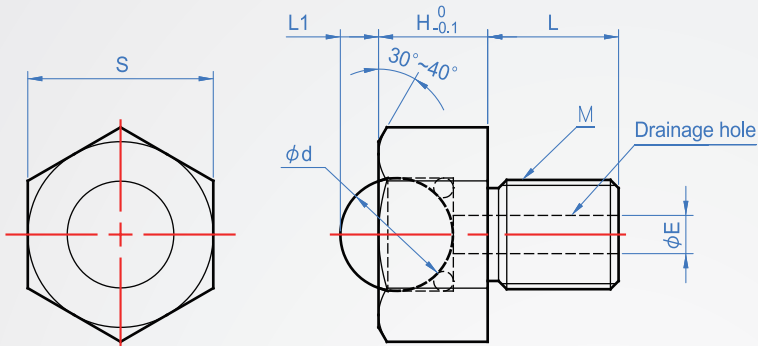
Main ball

Auxiliary ball

PEEK

PEEK

SUS440C
HRC55~



How to order

BR874 - **M6**

 | |

 TYPE M



Unit : mm

M Coarse thread	L	L1	H	d	S	E	Load N
M5	6	1.5	5	4.76	8	1.5	2
M6	8	2	6	6.35	10	2.5	5
M8	10	2.5	8	7.94	13	3	6
M10	12	3	10	9.53	17	3.5	8

kgf=N×0.101972