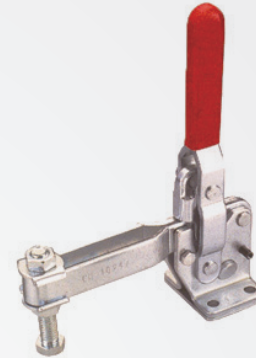
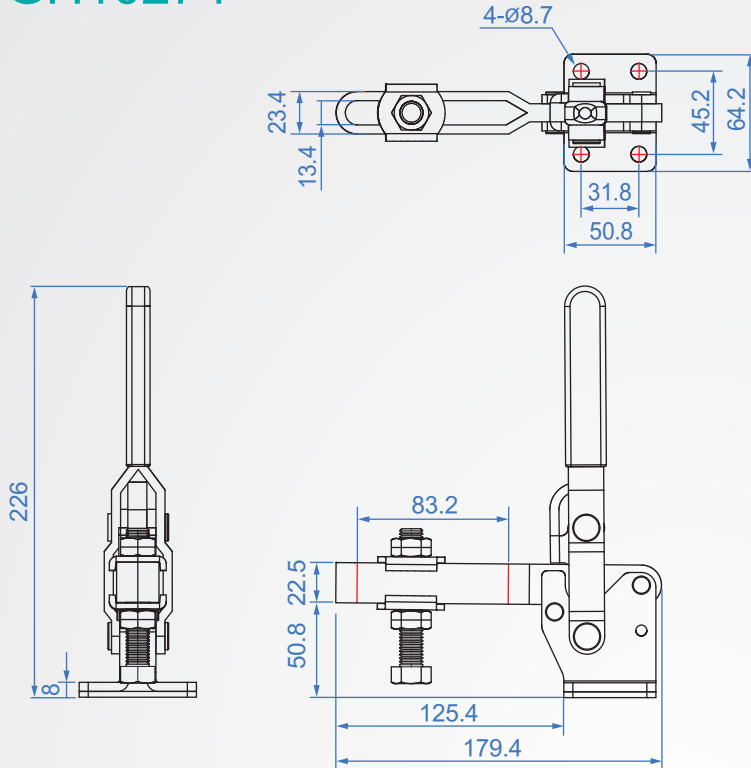


GH10274



GH10247

Material : SS400 Finish : Zinc plated

unit : mm

Code No.	Clamping pressure (kg)	weight (g)	Handle movement	Chuck movement	Front end fitting
GH10247	450	1250	74°	140°	NSA-12300