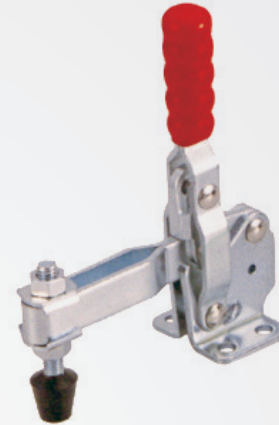
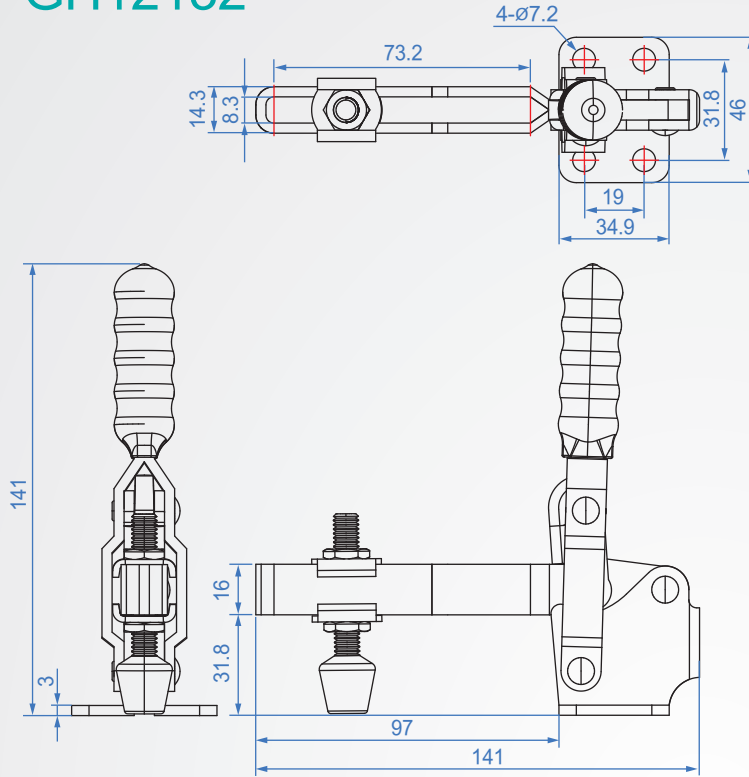


## GH12132



### GH12132

Material : SS400 Finish : Zinc plated

unit : mm

Code No.	Clamping pressure (kg)	weight (g)	Handle movement	Chuck movement	Front end fitting
GH12132	227	370	56°	100°	NFC-56212