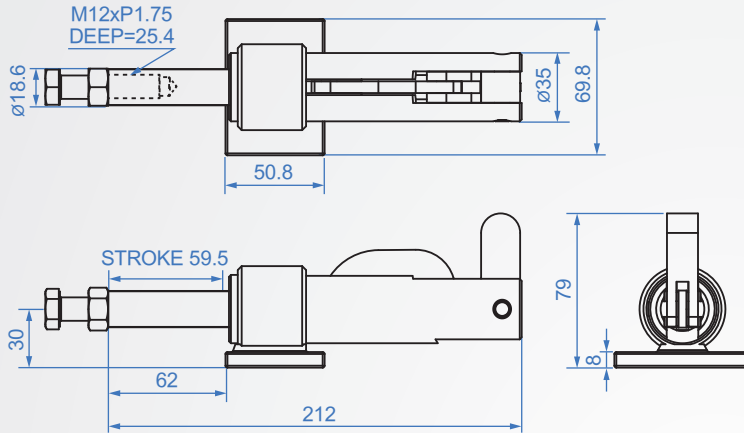


## GH30519-M



### GH30519-M

Material : SS400 Finish : Zinc plated

Unit : mm

Code No.	Clamping force(kg)	weight (g)	Hadle moving	Chuck moving	Front-end accessories
GH30519-M	1136	1692	183°	59.5	NSA-125017