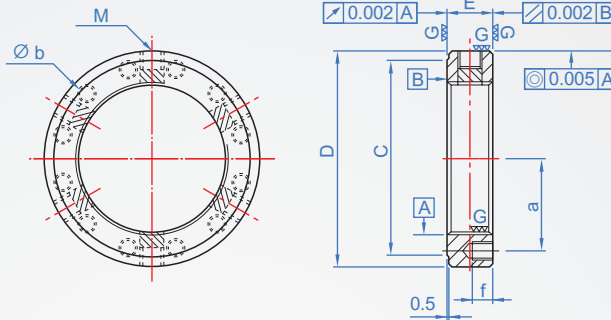


Precision Lock Nuts

## SBL-D

Superfine Balanced Locknuts



### How to order

SBL-D - M20 - 1.5  
TYPE M Pitch

unit : mm										
Tread	Pitch	D	C	E	a	Ø b	f	M	Locking torque max. Nm	Loosening torque Nm
M20	1	32	27	10	13	6 - M4	5	3-M5x0.8	4.5	24
M20	1.5									
M25	1.5	38	33	12	16	9 - M5	6	3-M6x1.0	8	26.5
M30	1.5	45	40		19		28.4			
M35	1.5	52	47	14	22	9 - M6	8			34.3
M40	1.5	58	52		25		36.3			
M45	1.5	65	59	16	28	12 - M6	10			56.9
M50	1.5	70	64		30					63.7
M55	2	75	68	18	33	12 - M6	12			68.6
M60	2	80	73		35					96.1
M65	2	85	78	20	38	12 - M8	14	6-M8x1.25	18	112.7
M70	2	92	84		41					137.3
M75	2	98	90	22	43	12 - M8	16			145.1
M80	2	105	96		46					149
M85	2	110	102	24	49	12 - M8	18			168.6
M90	2	120	108		53					178.4
M95	2	125	113	26	55	12 - M8	20	6-M10x1.5	35	193.1
M100	2	130	118		58					210.8
M105	2	140	125	26	61	12 - M8	16			215.7
M110	2	145	132		64					230.4
M115	2	150	137	26	66	12 - M8	18			250
M120	2	155	142		69					264.7
M125	2	160	147	26	71	12 - M8	20	6-M10x1.5	35	274.5
M130	2	165	152		74					294.1
M135	2	175	160	26	78	12 - M8	20	6-M10x1.5	35	328.4
M140	2	180	165		80					372.5
M145	2	190	175	26	84	12 - M8	20	6-M10x1.5	35	402
M150	2	195	180		86					421.6

※For spindles with exceptionally restricted or narrow space, this model is ideal in that it is super thin and requires no additional tooling or components to do its job. For thread sizes under M45 we offer the SBL-D with 3 lock screws, and for larger threads we offer the SBL-D with 6 lock screws. Balance adjustment screw holes can be fitted with screw-in plugs (option), eliminating high frequency noise and subsequent vibration.

※The data is not as good as it is available. Please contact CHENA for the remaining dimensions.