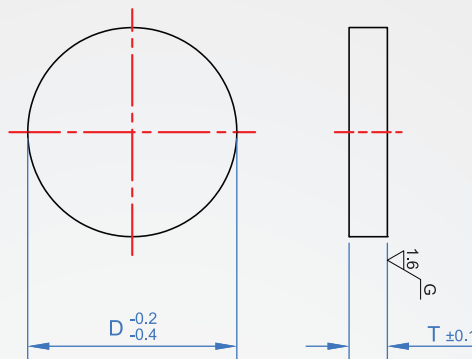


Disc washer

WA796



Material

SKS3

Hardness

58~62HRC

How to order

WA796 - 5 - 0.5
 TYPE D T

1

2

Unit : mm

D

T

0.5

1

2

3

4

5

5

●

●

●

●

●

●

7

●

●

●

●

●

●

8

●

●

●

●

●

●

9

●

●

●

●

●

●

11

●

●

●

●

●

●

13

●

●

●

●

●

●

16

●

●

●

●

●

●

19

●

●

●

●

●

●

28

●

●

●

●

●

●