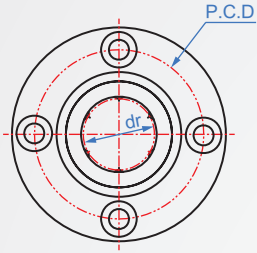


Embedded long LM238

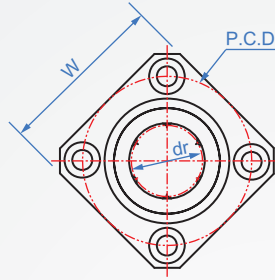
Main part	Steel ball	Holder	Operating temperature	Accessory
SUJ2 HRC58~	SUJ2	Resin	-20~80°C	2-sides dust cover

※Main body electroless nickel is good for antirust.

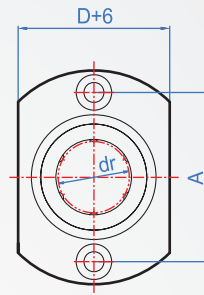
F : Round flange



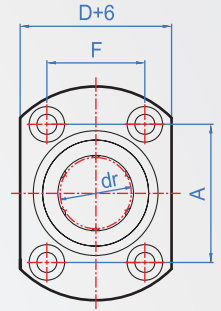
K : Square flange



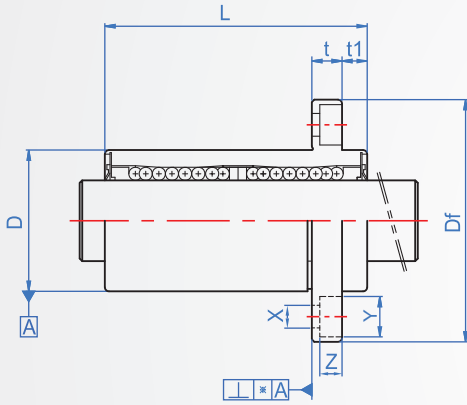
H : Double sides flanges



dr13~and below
(2 holes)



dr16~and below
(4 holes)



How to order

LM238 - 16L -

TYPE dr

Shape chosen

Round flange..... F

Square flange..... K

Double sides flanges... H

Unit : mm

dr	Tolerance value	Main size		Flange parts										Eccentric max.	Straight angle	Rated load		Weight(g)			
		D	Tolerance value	L	A	Df	F	P.C.D	t	t1	W	X	Y			Z	C(N)	Co(N)	Round	Square	Double sides
6L	+0 -0.013	12	+0	35	20	28	20	5	5	22	3.5	6	3.1	0.015	0.015	320	520	31	25	28	
8L		15	-0.013	45	24	32															24
10L	+0 -0.01	19	+0	55	29	40	—	29	30	4.5	7.5	4.1	0.015	0.015	580	1100	98	78	90		
12L		21	-0.01	57	32	42														32	32
13L	+0 -0.016	23	+0	61	33	43	33	6	6	34	4.5	7.5	4.1	0.015	0.015	810	1570	130	108	123	
16L		28	-0.016	70	31	48															22
20L	+0 -0.012	32	+0	80	36	54	24	43	8	8	42	5.5	9	5.1	0.020	0.020	1400	2750	260	225	247
25L		40	-0.012	112	40	62															
30L	+0 -0.019	45	+0	123	49	74	35	60	10	10	58	6.6	11	6.1	0.020	0.020	2490	5490	680	590	645

※Suggest using g6 tolerance guides.

1N=0.12kgf