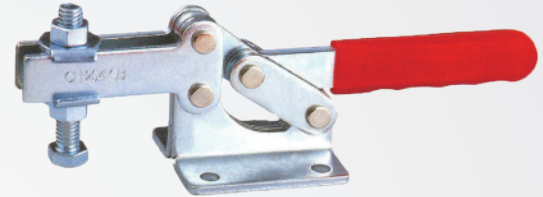
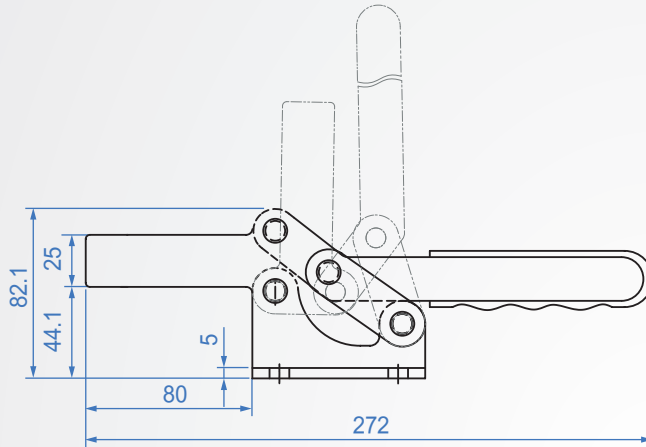
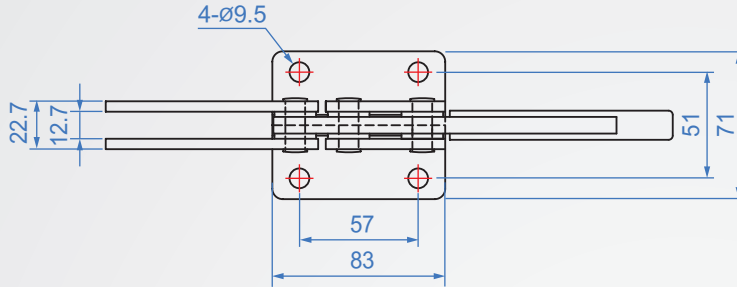


GH204-GB



GH204-GB

Material : SS400 Finish : Zinc plated

Unit : mm

Code No.	Clamping force(kg)	weight (g)	Hadle moving	Chuck moving	Front-end accessories
GH204-GB	630	1162	94°	94°	NSA-12300