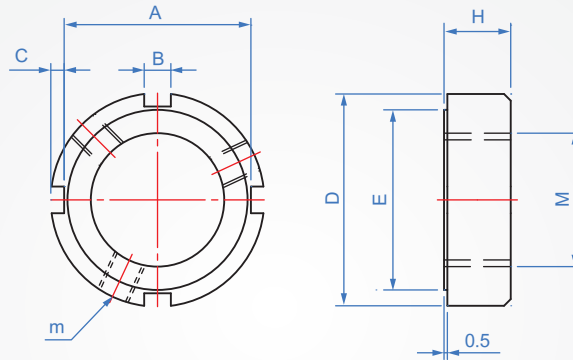


Lock Nut

## RN534

Precision type



Material

Hardness

Finish

Accessories

Carbon steel

HRC28~32

Dye black

Stop screw  
Copper gasket

※Thread accuracy : 4H grade ISO

※End face perpendicularity : 0.005

How to order

1  
RN534 - M12  
TYPE M



unit : mm

M	Pitch	D	E	A	B	C	H	m	weight (g)
M8	0.75	16	11	12	3	2	8	2-M4x0.7	8
M10	1	18	13	14					10
M12		20	16	16					11
M15		25	21	21	18				
M17	1.5	28	23	24	4	10	12	2-M5x0.8	28
M20		32	27	28				3-M5x0.8	36
M25		38	33	34				58	
M30	2	45	40	41	5	12	14	3-M6x1.0	80
M35		52	47	48					106
M40		58	52	53					148
M45	2	65	59	60	6	2.5	16	3-M8x1.25	184
M50		70	64	65					202
M55		75	68	69					249
M60		80	73	74	7	3	16		269