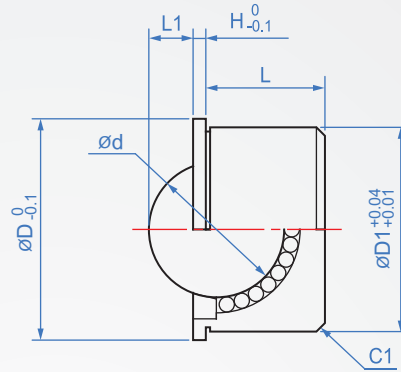
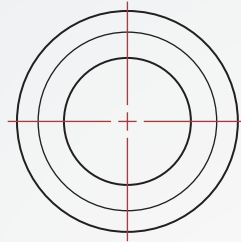
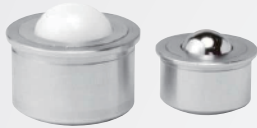


Buried type

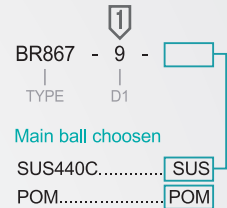
BR867

SUS body



TYPE	Main body	Cover	Main ball	Auxiliary ball
Metal ball	SUS304	SUS304	SUS440C HRC55~	SUS440C HRC55~
Resin ball			Resin (POM)	

How to order



Unit : mm

D1	D	L	L1	H	d	Load N	
						Metal ball	Resin ball
6	7	3	0.9	1	3.18	7	1.6
6.5	8		1.2		4	8	4
7.5	9		1.1		4.76	12	6
9	11	5	1.2		5.56	14	7
11	13	6	1.5		8.73	41	27
15	17	9	2.5		10.32	55	34
18	20	10	3.5	1.5	15.88	62	55
24	26	14	5.3		19.05	343	69
30	32	17	6.3		19.05	412	82

kgf=N×0.101972