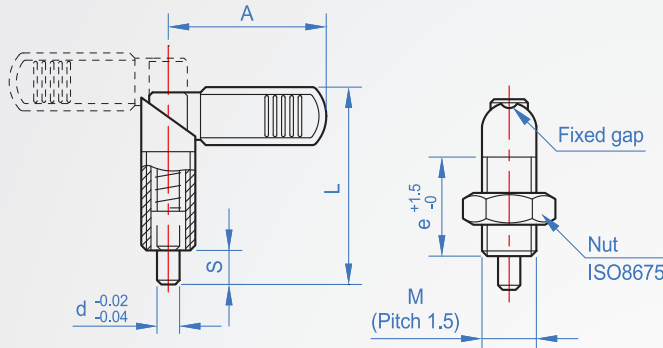


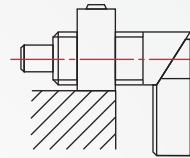
Handle type  
**IP651**



Main part	Pin	Spring	Handle surface
Steel (Black oxide)	Steel (Black oxide)	Piano wire	Nylon 6 (Mat Black)
SUS303	SUS303 (Nickel plating)	SUS304	



- Explanation :
- 1.The handle turning 180 degrees, pin will brake inside and handle stopped at a fixed position gap.
  - 2.Applications pin must rapid stretch and shrink of the case.
  - 3.Can be installed with the seat mounted to the machine table.



How to order

1  
 2  
 IP651 - M12 - 5 -   
TYPE M d  
 Choose material  
 Steel.....  
 Stainless steel.....

1		2				Unit : mm										
M	Pitch Fine teeth	d Pin outer diameter selection			e	L	S	A	Load (N)							
									min.	max.						
M12	1.5	5	6	8	26	47	8	32	8.5	19.5						
M16		6	8	10							30	56	10	42	11.5	30.5
M20		8	10	12							36	69	12	52	21	57.5

kgf=N×0.102