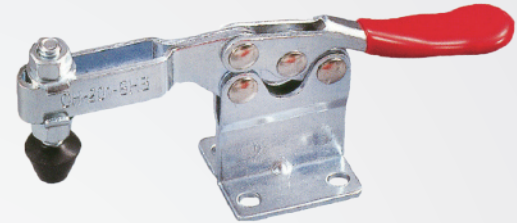
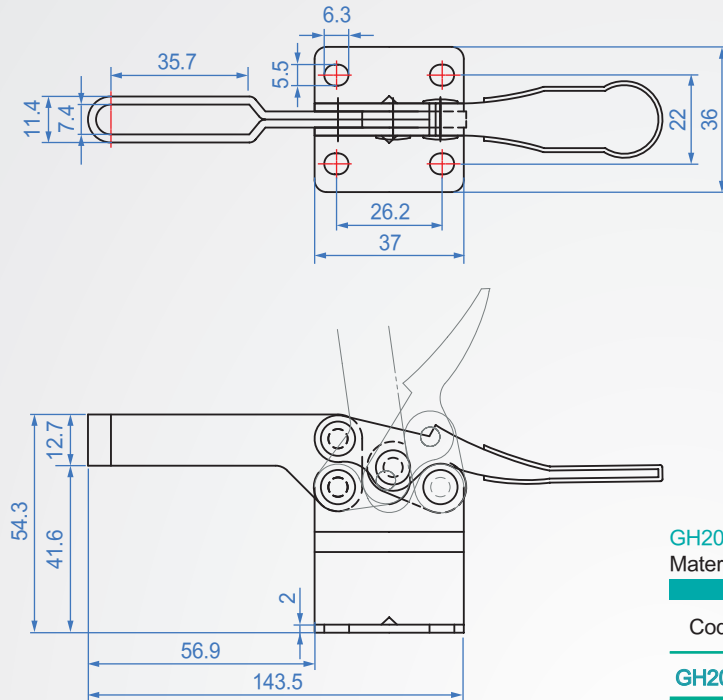


GH201-BHB



GH201-BHB

Material : SS400 Finish : Zinc plated

Unit : mm

Code No.	Clamping force(kg)	weight (g)	Handle moving	Chuck moving	Front-end accessories
GH201-BHB	90	145	73°	85°	FC-14134