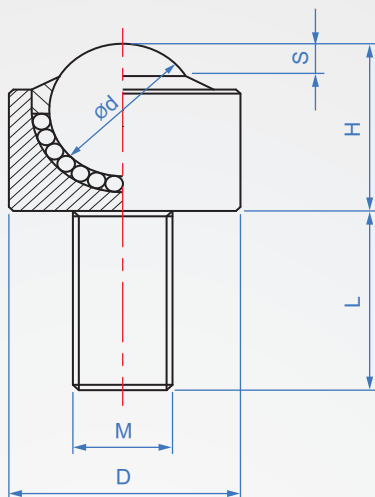


Screw

BR829-B



Ontology	Surface treatment	Main bead
S45C	Chrome	SUJ2

※All stainless steel SUS304 can be customized.

How to order

1
BR829-B - 12
TYPE No.



unit:mm

No.	d	D	S	H	M	L	Basic load (kg)	Allowable load (kg)	Weight(g)
12	12	22	2.5	17	M8	15	25	30	40
15	15.9	24	4.5	21	M8	18	45	50	55
22	22.2	36	6	31	M10	22	150	180	280
25	25.4	38	6.5	32	M12	25	200	250	300
30	30.2	45	6.4	36.5	M16	30	300	350	400
38	38.1	54	9.5	48	M16	30	400	450	950
45	45	62	11	54	M20	45	500	550	1050

Che Na

886-2688-3177

info@chena.com.tw

 886-22688-3188
886-2688-3881~3

 No.21, Guangrong St. Shulin Dist.,
New Taipei City 238 Taiwan (R.O.C.)