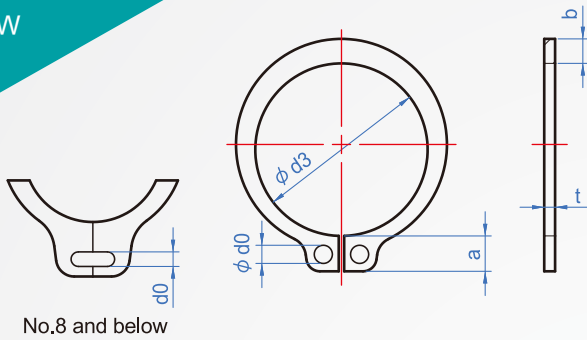


Shaft with -C buckle

WA703
STW

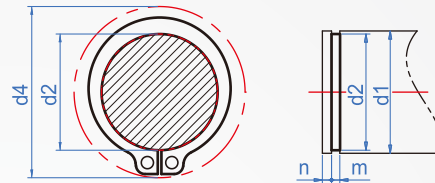


No.8 and below



d4 : When the retaining ring into d1 the most min diameter.

Applicable hole



How to order

WA703 - 4 -
 TYPE No.
 Material chosen
 Carbon steel.....
 SUS420.....

Unit : mm

| No. | d3 | Tolerance | t | Tolerance | b | a | d0 | Applicable axis (reference) | | | | | | |
|---------|------|----------------|------|-----------|-----|-----|-----|-----------------------------|------|-------------|------|------|-------------|----------|
| | | | | | | | | d1 | d2 | Tolerance | d4 | m | Tolerance | n (Min.) |
| 3-0.25t | 2.7 | | 0.25 | ±0.25 | 0.5 | 1.7 | 0.7 | 3 | 2.85 | | 7 | 0.35 | | 0.3 |
| 3-0.30t | 2.7 | +0.04 -0.15 | 0.3 | | 0.5 | 1.7 | 0.7 | 3 | 2.85 | +0 -0.04 | 7 | 0.35 | | 0.3 |
| 4 | 3.7 | | 0.4 | ±0.03 | 0.9 | 2.2 | 0.8 | 4 | 3.8 | | 9 | 0.5 | +0.1 -0 | 0.3 |
| 5 | 4.7 | | 0.6 | | 1.1 | 2.4 | 0.8 | 5 | 4.8 | | 10.5 | 0.7 | | 0.3 |
| 6 | 5.6 | | 0.7 | | 1.3 | 2.8 | 1 | 6 | 5.7 | | 12 | 0.8 | | 0.5 |
| 7 | 6.5 | +0.1 -0.2 | 0.8 | | 1.4 | 3 | 1 | 7 | 6.7 | +0 -0.06 | 14 | 0.9 | | 0.5 |
| 8 | 7.4 | | 0.8 | | 1.6 | 3 | 1 | 8 | 7.6 | | 15 | 0.91 | | 1.5 |
| 9 | 8.4 | | 1 | | 1.8 | 3.2 | 1 | 9 | 8.6 | | 16 | 1.15 | | 1.5 |
| 10 | 9.3 | | 1 | | 1.8 | 3 | 1.5 | 10 | 9.6 | +0 -0.09 | 17 | 1.15 | | 1.5 |
| 11 | 10.2 | ±0.15 | 1 | ±0.04 | 2 | 3.1 | 1.5 | 11 | 10.5 | | 18 | 1.15 | | 1.5 |
| 12 | 11.1 | | 1 | | 2.1 | 3.2 | 1.7 | 12 | 11.5 | | 19 | 1.15 | | 1.5 |
| 13 | 12.0 | | 1 | | 2.1 | 3.3 | 1.7 | 13 | 12.4 | | 20 | 1.15 | | 1.5 |
| 14 | 12.9 | | 1 | | 2.2 | 3.4 | 1.7 | 14 | 13.4 | | 22 | 1.15 | | 1.5 |
| 15 | 13.8 | ±0.18 | 1 | | 2.2 | 3.5 | 1.7 | 15 | 14.3 | +0 -0.11 | 23 | 1.15 | | 1.5 |
| 16 | 14.7 | | 1 | | 2.2 | 3.6 | 1.7 | 16 | 15.2 | | 24 | 1.15 | | 1.5 |
| 17 | 15.7 | | 1 | | 2.2 | 3.7 | 1.7 | 17 | 16.2 | | 25 | 1.15 | | 1.5 |
| 18 | 16.5 | | 1.2 | | 2.6 | 3.8 | 1.7 | 18 | 17 | | 26 | 1.35 | | 1.5 |
| 19 | 17.5 | | 1.2 | | 2.7 | 3.8 | 2 | 19 | 18 | | 27 | 1.35 | | 1.5 |
| 20 | 18.5 | | 1.2 | | 2.7 | 3.9 | 2 | 20 | 19 | | 28 | 1.35 | | 1.5 |
| 21 | 19.5 | | 1.2 | | 2.7 | 4 | 2 | 21 | 20 | | 30 | 1.35 | | 1.5 |
| 22 | 20.5 | | 1.2 | | 2.7 | 4.1 | 2 | 22 | 21 | | 31 | 1.35 | | 1.5 |
| 23 | 21.4 | | 1.2 | | 2.9 | 4.5 | 2 | 23 | 22 | | 32.5 | 1.35 | | 1.5 |
| 24 | 22.2 | | 1.2 | ±0.05 | 3.1 | 4.2 | 2 | 24 | 22.9 | +0 -0.21 | 33 | 1.35 | +0.14 -0 | 1.5 |
| 25 | 23.2 | ±0.2 | 1.2 | | 3.1 | 4.3 | 2 | 25 | 23.9 | | 34 | 1.35 | | 1.5 |
| 26 | 24.2 | | 1.2 | | 3.1 | 4.4 | 2 | 26 | 24.9 | | 35 | 1.35 | | 1.5 |
| 28 | 25.9 | | 1.5 | | 3.1 | 4.6 | 2 | 28 | 26.6 | | 38 | 1.65 | | 1.5 |
| 29 | 26.9 | | 1.5 | | 3.5 | 4.7 | 2 | 29 | 27.6 | | 39 | 1.65 | | 1.5 |
| 30 | 27.9 | | 1.5 | | 3.5 | 4.8 | 2 | 30 | 28.6 | | 40 | 1.65 | | 1.5 |
| 32 | 29.6 | | 1.5 | | 3.5 | 5 | 2.5 | 32 | 30.3 | | 43 | 1.65 | | 1.5 |
| 35 | 32.2 | ±0.25 | 1.5 | | 4 | 5.4 | 2.5 | 35 | 33 | | 46 | 1.65 | | 1.5 |
| 38 | 35.2 | | 1.75 | | 4.5 | 5.6 | 2.5 | 38 | 36 | +0 -0.25 | 50 | 1.9 | | 2 |
| 40 | 37.0 | | 1.75 | | 4.5 | 5.8 | 2.5 | 40 | 38 | | 53 | 1.9 | | 2 |
| 45 | 41.5 | ±0.4 | 1.75 | | 4.8 | 6.3 | 2.5 | 45 | 42.5 | | 58 | 1.9 | | 2 |
| 50 | 45.8 | | 2 | | 5 | 6.7 | 2.5 | 50 | 47 | | 64 | 2.2 | | 2 |
| 52 | 47.8 | | 2 | | 5 | 6.8 | 2.5 | 52 | 49 | | 66 | 2.2 | | 2 |
| 55 | 50.8 | | 2 | ±0.06 | 5 | 7 | 2.5 | 55 | 52 | | 70 | 2.2 | | 2 |
| 60 | 55.8 | | 2 | | 5.5 | 7.2 | 2.5 | 60 | 57 | | 75 | 2.2 | | 2 |
| 65 | 60.8 | | 2.5 | | 6.4 | 7.4 | 2.5 | 65 | 62 | +0 -0.30 | 81 | 2.7 | | 2.5 |
| 70 | 65.5 | ±0.45 | 2.5 | | 6.4 | 7.8 | 2.5 | 70 | 67 | | 86 | 2.7 | | 2.5 |
| 75 | 70.5 | | 2.5 | | 7 | 7.9 | 2.5 | 75 | 72 | | 97 | 2.7 | | 2.5 |
| 80 | 74.5 | | 2.5 | | 7.4 | 8.2 | 2.5 | 80 | 76.5 | | 92 | 2.7 | | 2.5 |
| 85 | 79.5 | | 3 | | 8 | 8.4 | 3 | 85 | 81.5 | | 103 | 3.2 | | 3 |
| 90 | 84.5 | ±0.55 | 3 | ±0.07 | 8 | 8.7 | 3 | 90 | 86.5 | +0 -0.35 | 108 | 3.2 | +0.18 -0 | 3 |
| 100 | 94.5 | | 3 | | 9 | 9.5 | 3 | 100 | 96.5 | | 119 | 3.2 | | 3 |

Copyright © CHENA INDUSTRIAL CO.,LTD ALL Rights Reserved.