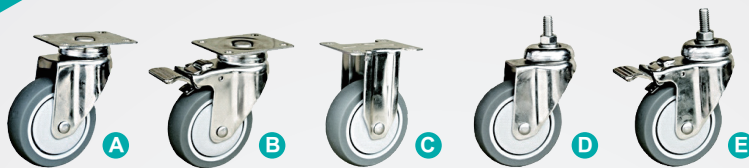
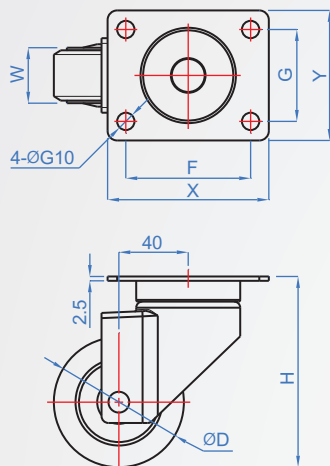


Stainless steel
CS891
120kg

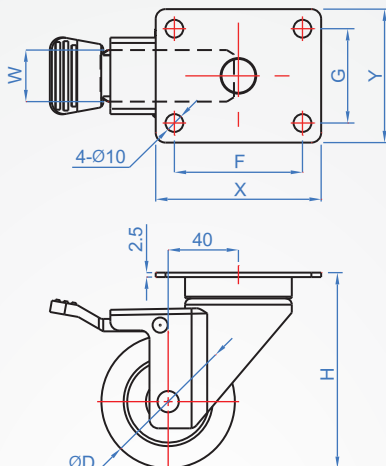


Bracket	Wheel
stainless steel	TPR synthetic rubber

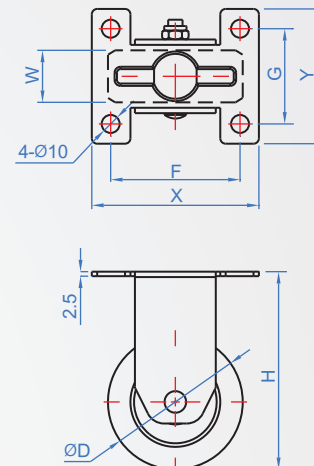
A Universal Caster



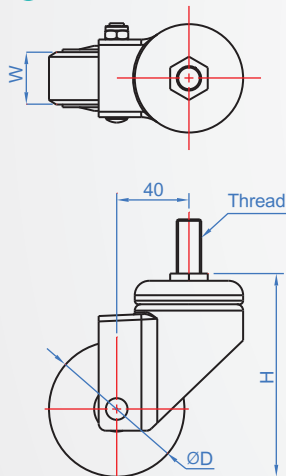
B Caster with Stopper



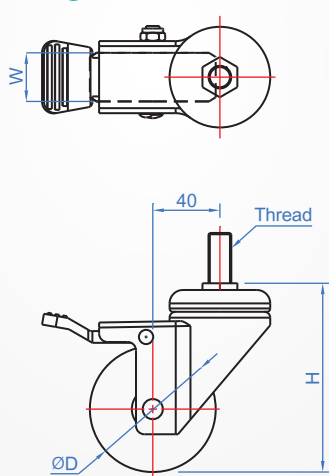
C Caster



D Caster with Screw

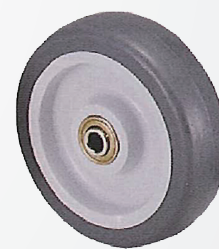


E Caster with Screw & Stopper



- ※Suitable place:
1. Catering equipment
 2. Clean room equipment
 3. Kitchen facilities
 4. Medical bathroom equipment

TPR
Synthetic rubber



■ Steel type

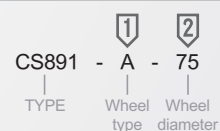
Wheel type	Wheel diameter		Wheel width W	H	E	Chassis		Setting holes		Load weight kg
	D	Inch				X	Y	A	B	
A · B · C	75	3"	32	110	40	93	75	72	53	120
	100	4"		138						
	125	5"		163						

■ Screw type

Wheel type	Wheel diameter		Wheel width W	H	E	Coarse thread		Load weight kg
	D	Inch				Inch	L	
D · E	75	3"	32	110	40	1/2"	30	120(kg)
	100	4"		138				
	125	5"		163				

■ Steel type

How to order



■ Screw type

How to order

