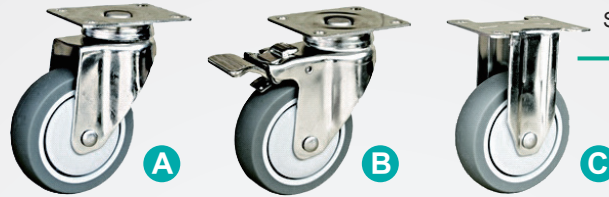


Light load  
**CT890**  
Steel plate long

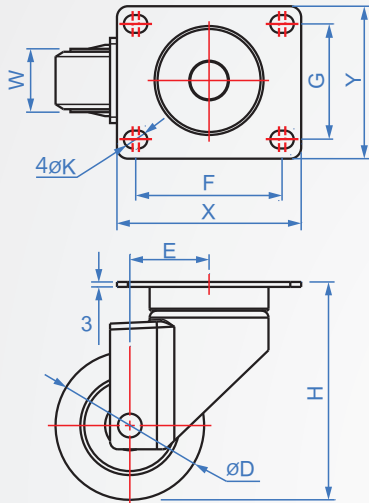


Ontology	Surface treatment	Wheel	Difference
Steel	white zinc plated	TPR rubber	reduce noise
		PP polypropylene	load bearing

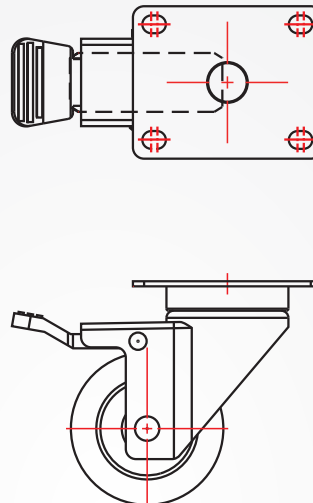
How to order

CT890 - A - 75  
TYPE Kind D

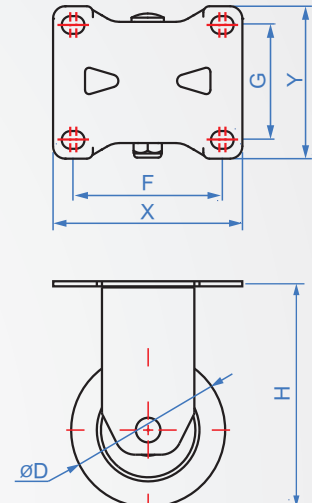
**A** Activity wheel



**B** Active + Brake wheel



**C** Fixed wheel



Allowable load kgf		Kind	D		W	H	E	Chassis		Mounting holes		
TPR wheel	PP wheel		TPR wheel	PP wheel				X	Y	F	G	K
85	110	A、B、C	75	75H	32	105	33	95	68	74	45	8.5
100	130		100	100H		130	36					
125	150		125	125H		160	37					

\* Wheels can choose PP polypropylene (wheel diameter + H), the load capacity is increased by 20% ◦  
 \* The wheel has another conductive wheel (wheel diameter + E), the conductive value is  $10^3\Omega \sim 10^5\Omega$  ◦

1kgf=9.8N