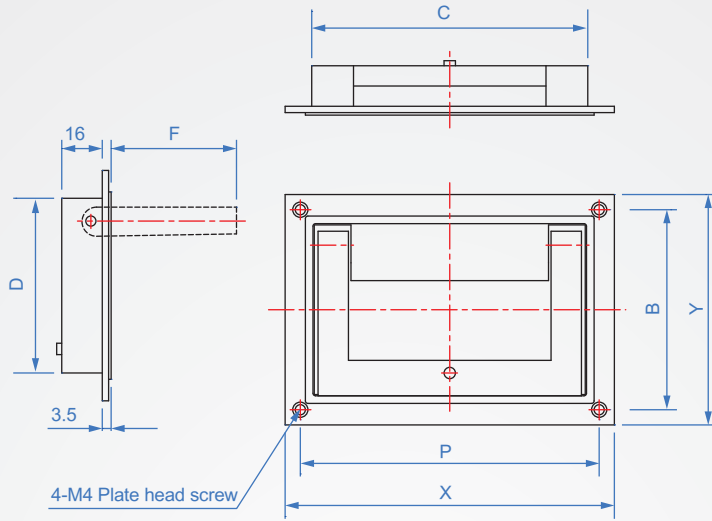
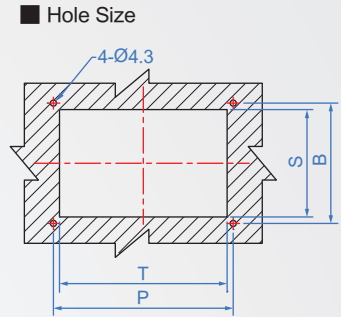


Disc handle  
**UD959**



|                            |             |
|----------------------------|-------------|
| Body                       | • Handle    |
| Material                   | Finish      |
| Die casting Aluminum alloy | Black paint |



■ Cylindrical

How to order

UD959 - 184  
TYPE P

|     |    |     |    |     |    |    |    |     | unit :mm           |          |
|-----|----|-----|----|-----|----|----|----|-----|--------------------|----------|
| P   | B  | C   | D  | X   | Y  | F  | S  | T   | Allowable load (N) | Weight g |
| 118 | 79 | 109 | 69 | 130 | 91 | 49 | 71 | 110 | 1000               | 210      |
| 184 | 50 | 170 | 71 | 198 | 80 | 51 | 73 | 171 | 400                | 285      |

※The inside of the handle has a design indentation that is ergonomic.  
 ※Another body light gray, acceptable custom.

1N=0.101972kgf