

## Fine thread IP640

Main part		d Pin		Spring	Affiliated nuts	
Material	Finish	Material	Finish		Material	Finish
Steel	Black oxide	Steel	Black oxide	SWP-B	Steel	Black oxide
SUS303	-	SUS303	Nickel plating	SUS301	SUS303	-

Full stainless steel



Steel

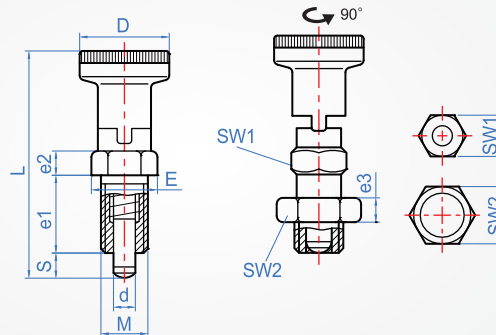
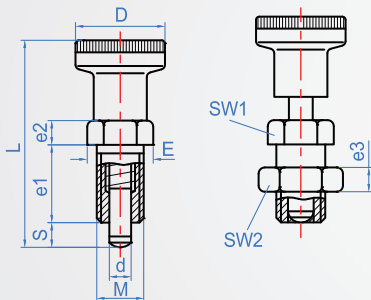
Full stainless steel



Stainless steel + D knob: mat black nylon 6

A : Reset type

B : Latch type



■ Explanation : Indexing Plunger applies to the case of manually positioning. Generally d pin is convex state.

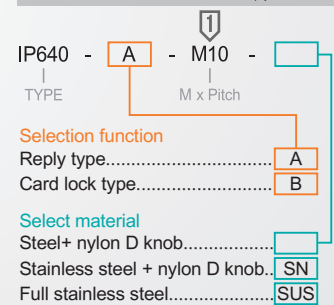
■ Reset type : 1.Pull the knob up, latch sink into the body, positioning can be relieved.

2.Release knob, the force of the internal spring can restore pin protruding state.

■ Latch type : 1.Pull the knob up and rotate 90 degrees, latch sink into the body, positioning can be relieved.

2.Rotate 90 degrees and release knob, the force of the internal spring can restore pin protruding state.

### How to order



Unit : mm

M	Fine thread Pitch	d -0.02 -0.04	S	L		D	E	e1	e2	e3	sw1	sw2	Spring load (N)	
				Reset type	Latch type								Steel	SUS
M10	1.0	5	5	45	51	21	13.8	17	5	5	12	17	7 ~ 17	6 ~ 15
M12	1.5	6	6	54.4	61	25	16.2	20	6	6	14	19	9 ~ 24	8 ~ 21
M16	1.5	8	8	69	75.5	31	21.9	26	8	8	19	24	11 ~ 30	9 ~ 26
M20	1.5	10	10	80	91	31	25.4	33	10	10	22	30	19 ~ 45	17 ~ 40

kgf=N×0.102