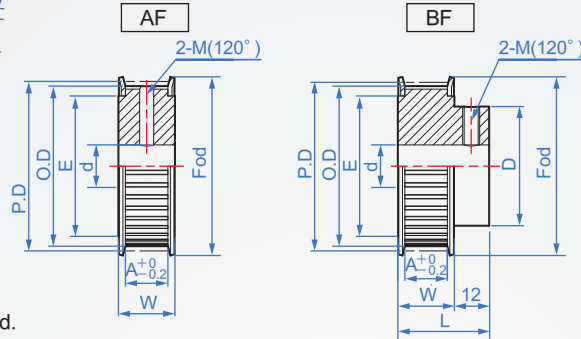
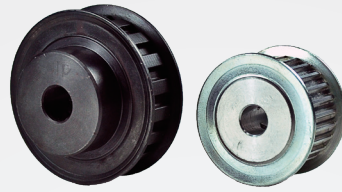
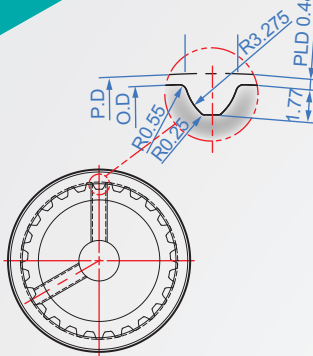


Pitch : 5.0mm

## S5M

Enlarged view of detail A



**Material:** Aluminum A6061+ anodized.  
Please contact us if you need iron material.

Width code	10	15	20	25
Common size	A=11 W=16 L=28	A=17 W=22 L=34	A=22 W=27 L=39	A=27 W=32 L=44

### How to order

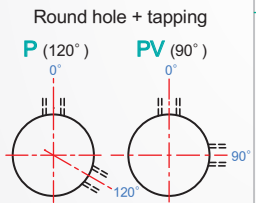
1 22 - 2 S5M-10 - 3 BF - 4 H8 - 5

1 Number of teeth  
 2 TYPE width  
 3 Shape  
 4 Hole shape  
 5 Choose surface treatment

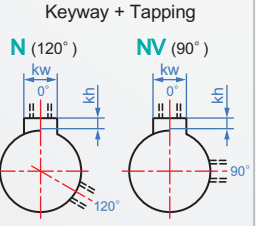
AS ..... Clear anode  
 AB ..... Black anode  
 AN ..... Electroless nickel  
 AK ..... Hardened anode

**BF shape can specify changes**  
 Example: original D path 24, change 22... D22

Unit : mm											
1	2	3	4	Aperture d	P.D	O.D	Number of teeth	D	E	Fod	
Number of teeth	TYPE width	Shape	Hole shape	Processing min.							
14	S5M-10	AF	H Round hole 	6~	22.28	21.32	14	14	16	26	
15					23.87	22.91	15	15	18	28	
16					25.46	24.5	16	17	20	22.5	32
17					27.06	26.1	17	16	19		
18					28.65	27.69	18	19	24	35	
19					30.24	29.28	19		26	36	
20					31.83	30.87	20	8~	22	26	36
21					33.42	32.47	21		24	28	40
22					35.01	34.05	22		26	30	42
23					36.61	35.65	23		27	30	
24	38.2	37.24	24	10~	30	34	47				
25	39.79	38.83	25		27	37	49				
26	41.38	40.42	26		31	34	47				
27	42.97	42.01	27			32		37			
28	44.56	43.6	28		32	37	49				
29	46.15	45.19	29			33		40			
30	47.75	46.79	30		33	40	52				
31	49.34	48.38	31			37		55			
32	50.93	49.97	32		37	58	62				
33	52.52	51.56	33			40		65			
34	54.11	53.15	34	40	45	65					
35	55.7	54.74	35		47		67.5				
36	57.3	56.34	36	47	52.5	67.5					
37	58.89	57.93	37		55		80				
38	60.48	59.52	38	55	60	83					
39	62.07	61.11	39		60		85				
40	63.66	62.7	40	60	65	85					
41	65.25	64.29	41		63		80				
42	66.85	65.89	42	63	80	100					
43	68.44	67.48	43		65		110				
44	70.03	69.07	44	65	80	100					
45	71.62	70.65	45		80		118				
46	73.21	72.24	46	80	98	118					
47	74.8	73.84	47		90		135				
48	76.39	75.43	48	90	110	135					
49	77.99	77.03	49		120		146				
50	79.58	78.62	50	90	120	146					
60	95.49	94.53	60		130		165				
70	111.41	110.45	70	100	130	165					
72	114.59	113.63	72		100		165				
80	127.32	126.36	80	100	146	165					
90	143.24	142.28	90		100		165				
100	159.15	158.21	100	100	165						



Axis aperture	Tapping
4-5	M3
6-12	M4
13-17	M5
18-30	M6
31-45	M8



Shaft bore	kw(Js9)	kh	Tapping
8-10	3	1.4	M4
NK10	4	1.8	
11-12	4		M5
13-17	5	2.3	
18-22	6	2.8	M6
23-30	8		
31-38	10	3.3	M8

Copyright © CHENA INDUSTRIAL CO.,LTD ALL RIGHTS RESERVED.