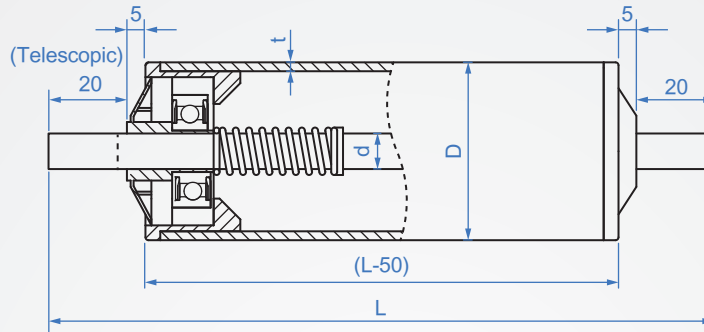
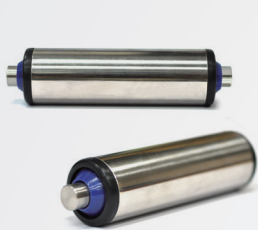


Freestyle roller

## RB880 Spring shaft



Code	Roller	Sprocket	Bushing	Bearing	Axis
ZN	Steel pipe (galvanized)	ABS	Nylon 6	SUJ2	Steel
CS	Steel pipe (outer white iron)				
SUS	White iron tube			SUS	SUS

The material of the (sprocket) (bearing) in the above table can be changed according to customer needs, please contact the GheNa business.

### How to order

RB880 - 42 - 10 - 300 -

TYPE No. d L

Choose roller material

Steel pipe (galvanized).....  ZN

Steel pipe (outer white iron).....  CS

White iron tube.....  SUS

1		2		3		unit:mm
No.	D	t	d	L		
25	25.4	1.5	8	100~1200		
32	31.7		12、14			
38	38.1		10、12、14			
42	42.7	2	10、12、14			
50	50.8	1.5	12、14			
*57	57.2		12、14			
60	60.3	2	12、14			

\*The white iron pipe does not have a size of 57.