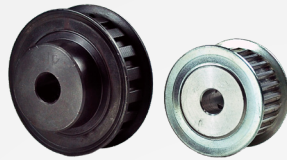
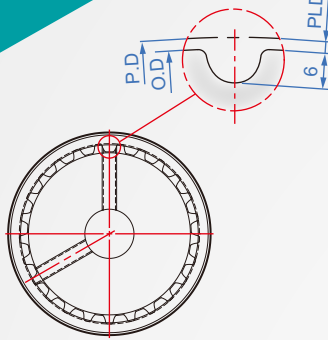


Pitch : 14.0mm

14M

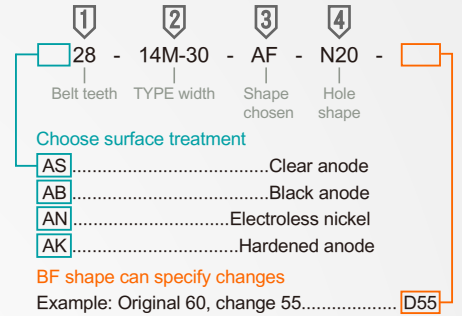
Detail enlargement A



Width code	30	40	55	70	85	100
Common size	A=32 W=40 L=60 (*L=65)	A=42 W=50 L=70 (*L=75)	A=58 W=66 L=75 (*L=80)	A=73 W=81 L=90 (*L=95)	A=89 W=97 L=105 (*L=110)	A=104 W=112 L=120 (*L=125)

* When the number of teeth is less than 43 teeth (L=W+20), 44 teeth (inclusive) or more (L=W+25)

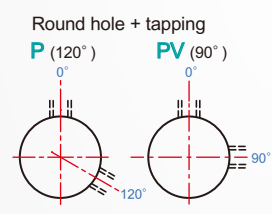
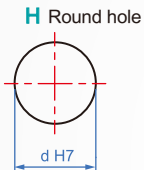
How to order



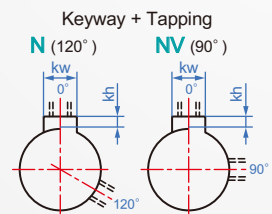
Material : Aluminum A6061+ anodized.
Size above 44 teeth with set screw + iron stopper)

1	2	3	4	Unit : mm						
Number of teeth	Type width	shape	Aperture	d	P.D	O.D	D	E	Fod	set screw

28				16~	124.78	121.98	60	110	130	
29				16~	129.23	126.44	60	110	135	
30				16~	133.69	130.9	60	115	140	
31				16~	138.15	135.35	60	120	150	
32				20~	142.6	139.81	70	125	152	
33				20~	147.06	144.27	70	125	157	
34				20~	151.52	148.72	70	128	160	
35				20~	155.97	153.18	70	135	163	
36				20~	160.43	157.63	70	140	170	
37				25~	164.88	162.09	80	145	175	
38				25~	169.34	166.55	80	152	180	
39				25~	173.8	171	80	155	185	
40	14M-30			25~	178.25	175.46	80	157	188	
41	14M-30			25~	182.71	179.92	90	165	195	
42	14M-30			25~	187.17	184.37	90	170	200	
43	14M-40			25~	191.62	188.83	90	170	200	
44	14M-40			25~	196.08	193.28	90	175	205	
45	14M-40			25~	200.54	197.74	90	180	210	
46	14M-55			25~	204.99	202.2	90	185	215	
47	14M-55	AF		25~	209.45	206.65	90	190	220	
48	14M-55	AF		25~	213.9	211.11	90	195	225	
49	14M-70			25~	218.36	215.57	90	190	230	
50	14M-70	BF		25~	222.82	220.02	90	195	235	
51	14M-70	BF		25~	227.27	224.48	90	200	240	
52	14M-85			35~	231.73	228.94	100	205	245	
53	14M-85			35~	236.19	233.39	100	210	250	6-M4 Dish head cross
54	14M-85			35~	240.64	237.85	100	215	255	
55	14M-100			35~	245.1	242.3	100	215	255	
56	14M-100			35~	249.55	246.76	100	220	260	
57	14M-100			35~	254.01	251.22	100	225	265	
58	14M-100			35~	258.47	255.67	100	230	270	
59	14M-100			35~	262.92	260.13	100	235	275	
60	14M-100			35~	267.38	264.59	100	240	280	
61	14M-100			35~	271.84	269.04	100	245	285	
62	14M-100			35~	276.29	273.5	100	250	290	
63	14M-100			35~	280.75	277.96	100	260	290	
64	14M-100			35~	285.21	282.41	100	265	295	
65	14M-100			35~	289.66	286.87	100	270	300	
66	14M-100			40~	294.12	291.32	120	275	305	8-M4 Dish head cross
67	14M-100			40~	298.57	295.78	120	270	310	
68	14M-100			40~	303.03	300.24	120	280	320	
69	14M-100			40~	307.49	304.69	120	280	320	
70	14M-100			40~	311.94	309.15	120	290	330	



Axis aperture	Tapping
18-30	M6
31-44	M8
45-65	M10
66-70	M12



Shaft bore	kw (Js9)	kh	Tapping
18-22	6	2.8	M6
23-30	8		
31-38	10	3.3	M8
39-44	12		
45-50	14	3.8	M10