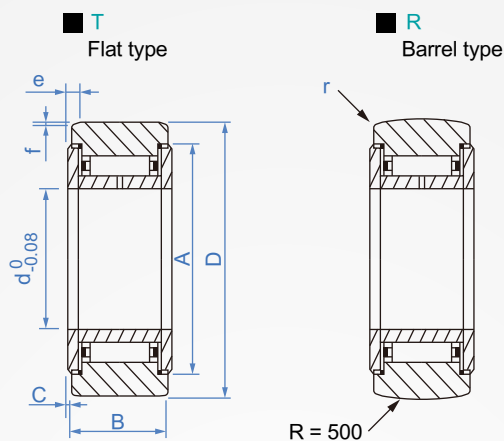


seal  
**RN523**  
Separate type



**Ontology** Operating temperature

SUJ2 Below 80°C

Also available in material SUS440C

**How to order**



d	Shape	D	tolerance	A	B	C	e	f	r	basic rated load(kN)		quality(g)
										C	Cor	
6	T Flat type	19	0	14	13.8	0.1	2.5	0.8	0.3	4.16	1.55	24.5
8		24	-0.009	17.5						5.65	5.89	39
10		30	0	23.5	15.8					9.79	9.68	65
12		32		25.5						10.5	10.9	75
15	R Barrel type	35	-0.011	29	19.8	3	1	1	12.4	14.3	83	
17		40		32.5					17.6	20.9	135	
20		47	38	19.4	24.5				195			

unit : mm  
1N≒0.102kgf