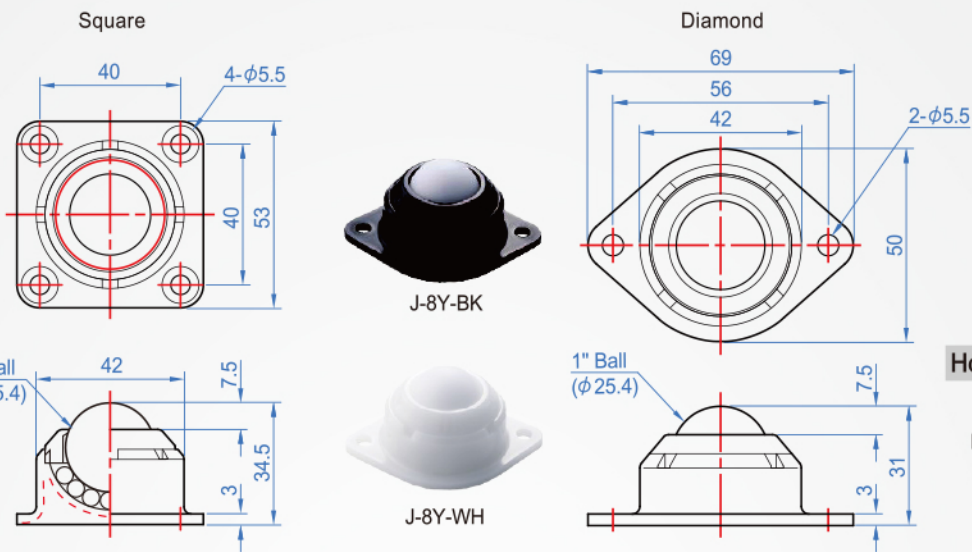


Resin ball roller BR808

※ Resin series, not easy to scratch the transport surface, suitable for use in easy to rust environments, it may correspond to a clean room environment.



How to order

BR808 - J-8Y-BK
 TYPE Code

Unit : mm						
Allowable load	Shape	Code	Main part	Main ball	Support dish	Weight (g)
10 kg	Diamond	J-8Y-BK	POM(Black)	POM	SUS	39
		J-8Y-WH	POM(White)		Steel	
	Square	J-8K				41

Note