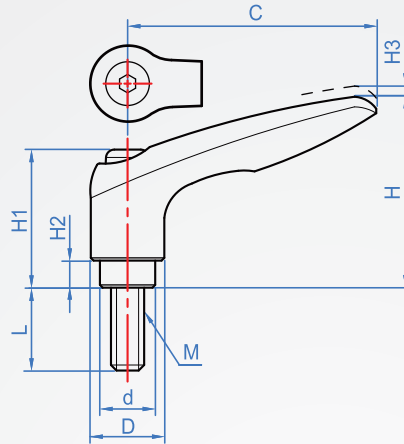


Adjustment handle

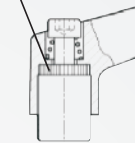
**HA931**

With threaded bolt



Example

Serrations



When pulling up the handle serrated shaft will be out, after the handle is placed in the appropriate direction, put down the handle will automatically fit.

Axle	Handle	Spring
Steel (Black oxide)	Zinc die casting (Baked Painting)	SUS304-WPB
SUS303		

How to order

	<b>1</b>	<b>2</b>	<b>3</b>	<b>4</b>	
HA931 - SZ - 45 - M4 - 10 -					<input type="text"/>
TYPE	Color	C	M	L	
Axle chosen					
Steel.....					<input type="text" value="Blank"/>
Stainless steel.....					<input type="text" value="SUS"/>

Color	C	M Coarse thread	Thread bolt							D	d	H	H1	H2	H3	t
			L	L	L	L	L	L	L							
BK (Black)	45	M4	10	15	20	25	30			13	10	35	24.5	4	3.5	8
		M5	10	15	20	25	30									
	M6	10	20	30	40	50										
OR (Orange)	63	M8	10	20	30	40	50			17.5	13.5	45	31	6.5	4	10
			10	20	30	40	50									
	78	10	20	30	40	50			21							
SV (Silver)	92	M10	10	20	30	40	50	60		24	19	65	43	11	4	17
			20	30	40	50	60									
	108	30	40	50	60	70			30							
		M16				40	50	60	70	80						

Unit : mm

Che Na

FAX 886-2688-3177

info@chena.com.tw

886-22688-3188  
886-2688-3881~3No.21, Guangrong St. Shulin Dist.,  
New Taipei City 238 Taiwan (R.O.C.)