

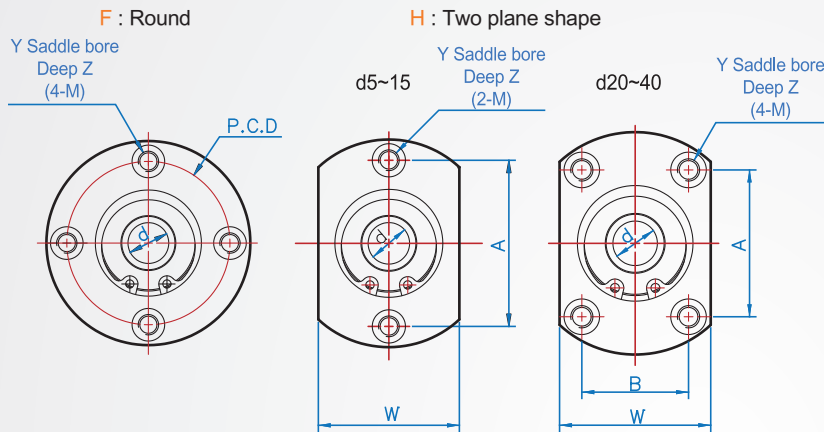
Flange Type BH552



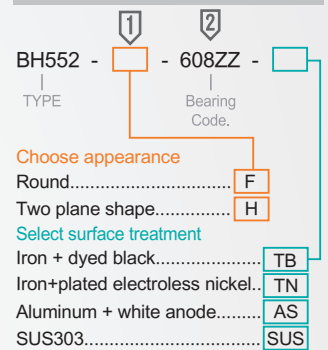
Appearance	Material	Surface finish	Bearing
F Round	Iron S45C	TB Blackened	SUJ2 (JIS 0)
		TN Electroless nickel	
H Two plane shape	Aluminum A6061	AS Clear anodizing	
		SUS Degreased	
	SUS303		

※Countersink through part tapping design, positive and negative two sides can be installed.

※Accessory : C type retaining ring(SUS304)



How to order



Bearing Code.	d	D H7	Tolerance	T	H	e	W	K	P.C.D	Cg7	Tolerance	A	B	X (Coarse thread)	Y	Z
606ZZ	6	17	+0.021 0	11	39	6	23	13	29	21	-0.007 -0.028	29	-	4.3 (M5 x 0.8)	8	4.4
608ZZ	8	22		12	45	7	29	18	35	27		35				
628ZZ		24		13	47	8	32	20	37	30		37				
6900ZZ	10	22		11	45	6	29	19	35	27		35				
6000ZZ		26		13	50	8	34	22	40	32		40				
6200ZZ		30		14	54	9	38	24	44	36		44				
6901ZZ	12	24	+0.025 0	11	48	6	31	21	38	30	-0.009 -0.034	38	-	5.2 (M6 x 1.0)	9.5	5.4
6001ZZ		28		13	52	8	36	24	42	34		42				
6902ZZ		28		12	57	7	37	25	45	35		45				
6002ZZ	15	32		14	60	9	40	28	48	38		48				
6202ZZ		35		17	64	11	44	29	52	42		52				
6904ZZ	20	37		+0.025 0	15	69	9	47	34	56		45				
6004ZZ		42	18		77	12	54	36	64	50	56	32				
6204ZZ		47	20		81	14	58	40	68	54	59	34				
*6005ZZ	25		18		88	12		41	72		63	36				
*6205ZZ		52	22		94	15	64	45	78	60	68	39				
*6006ZZ	30	55	+0.03 0		20	96	13	66	48	80		-0.01 -0.04	70	40	8.5 (M10 x 1.5)	14
*6206ZZ		62		23	104	16	74	55	88	70	77		44			
*6007ZZ	35			21		14					75					
*6008ZZ	40	68		23	114	15	82	60	96	78	80		54			
*6208ZZ		80		27	134	18	96	74	113	92	98		56			
*6210ZZ	50	90		31	147	20	110	83	126	106	104					

* Bearing designations are only available in iron.

Copyright © CHENA INDUSTRIAL CO., LTD ALL RIGHTS RESERVED.