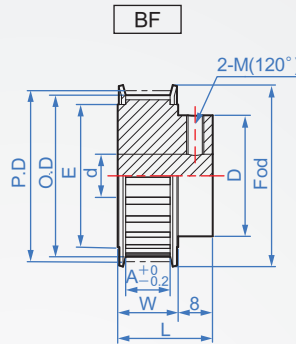
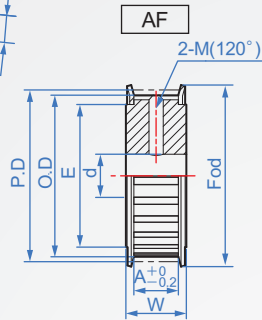
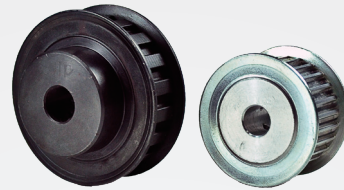
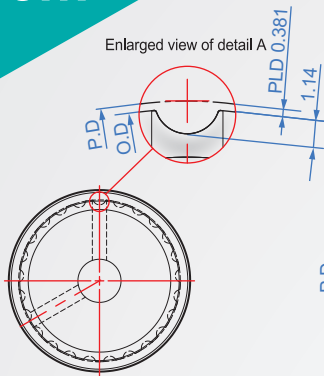


Pitch : 3.0mm
S3M



Width code	6	10	15
Common size	A=7	A=11	A=17
	W=11	W=15	W=21
	L=19	L=23	L=29

Material: Aluminum A6061+ anodized.
Please contact us if you need iron material.

How to order

22 - S3M-6 - BF - H6 - D11

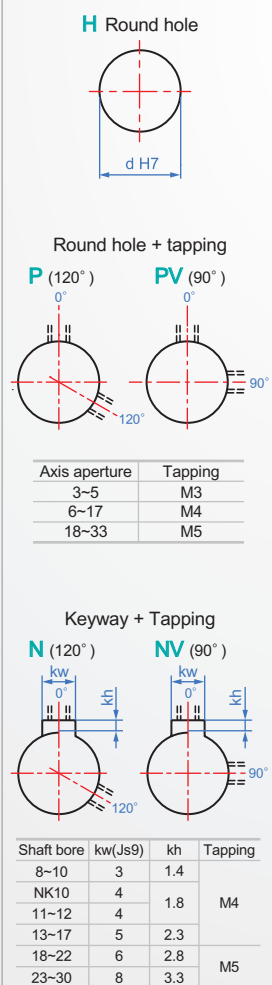
Number of teeth TYPE width Shape Hole shape

Choose surface treatment

- ASClear anode
- ABBlack anode
- ANElectroless nickel
- AKHardened anode

BF shape can specify changes
Example: original D path 12, change 11... D11

Unit : mm										
Number of teeth	TYPE width	Shape	Hole shape	Aperture d Processing min.	P.D	O.D	Number of teeth	D Teeth ≥ 32 Applicable	E	Fod
10	S3M-6	AF	H Round hole P (120°) Round hole + tapping Refer to the legend below	3~	9.55	8.79	10	-	6.5	13.5
11					10.50	9.74	11			
12					11.46	10.70	12			
13					12.41	11.65	13			
14					13.37	12.61	14			
15	S3M-6	AF	H Round hole P (120°) Round hole + tapping Refer to the legend below	4~	14.32	13.56	15	9	10.4	18
16					15.28	14.52	16			
17					16.23	15.47	17			
18					17.19	16.43	18			
19					18.14	17.38	19			
20					19.10	18.34	20			
21					20.05	19.29	21			
22					21.01	20.25	22			
23					21.96	21.20	23			
24					22.92	22.16	24			
25	S3M-6	AF	H Round hole P (120°) Round hole + tapping Refer to the legend below	5~	23.87	23.11	25	10	13.5	20
26					24.83	24.07	26			
27					25.78	25.02	27			
28					26.74	25.98	28			
29					27.69	26.93	29			
30					28.65	27.89	30			
31					29.60	28.84	31			
32					30.56	29.80	32			
33					31.51	30.75	33			
34					32.47	31.71	34			
35	S3M-10	AF	H Round hole P (120°) Round hole + tapping Refer to the legend below	6~	33.42	32.66	35	11	14.5	22.6
36					34.38	33.62	36			
37					35.33	34.57	37			
38					36.29	35.53	38			
39					37.24	36.48	39			
40					38.20	37.44	40			
41					39.15	38.39	41			
42					40.11	39.35	42			
43					41.06	40.3	43			
44					42.02	41.25	44			
45	S3M-15	BF	H Round hole P (120°) Round hole + tapping Refer to the legend below	7~	42.97	42.21	45	12	15	25
46					43.93	43.16	46			
47					44.88	44.12	47			
48					45.84	45.07	48			
49					46.79	46.03	49			
50					47.75	46.98	50			
60					57.30	56.53	60			
70					66.85	66.08	70			
72					68.75	67.99	72			
80					76.39	75.63	80			
90	85.94	85.18	90							
100	95.49	94.73	100							



Copyright © CHENA INDUSTRIAL CO.,LTD ALL RIGHTS RESERVED.