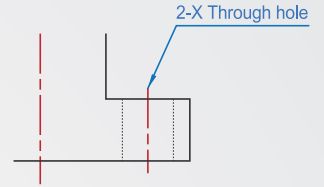


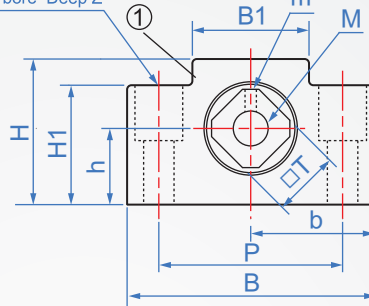
Fixed side
EK



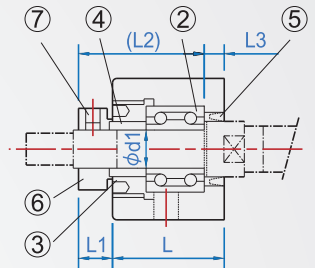
● EK4~5



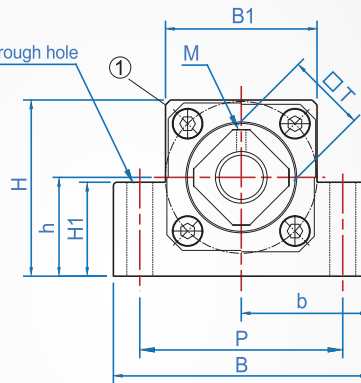
2-φX Drill through hole
φY Saddle bore Deep Z



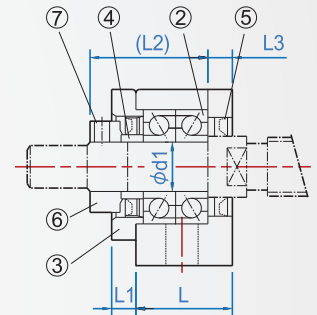
● EK6~8



2-φX Drill through hole



● EK10~20



■ Constitute parts

Number	Parts name	Quantity
①	Bearing chock	1
②	Angular bearing	1 set
③	Gland	1
④	Distance ring	2
⑤	Gasket	2
⑥	Grip nut	1
⑦	Hex set screw with heel block	1 set

★Warning : ①②③ as a whole, do not decompose.

★EK4, EK8 just attach 1pcs ⑤gasket. EK6 not attached gasket.

Material	Finish
S45C	Black oxide

How to order ▶▶

EK - 5 - []
TYPE No.

Choose a bearing

Bevel P5 Made in Japan..... [P5J]
Bevel P0 Made in Japan..... [P0J]
Bevel P5 made in Taiwan..... [P5T]
Bevel P5 Made in China..... [P5C]
Deep groove ZZ made in Japan... [ZJ]
Deep groove ZZ made in Taiwan... [ZT]

unit:mm

No.	d1	L	L1	(L2)	L3	B	H	b	h	B1	H1	P	X	Y	Z	m	M	□T
									±0.02									
4	4	15	5.5	17.5	3	34	19	17	10	18	7	26	4.5	-	-	M2.6	M4x0.5	10
5	5	16.5		18.5	3.5	36	21	18	11	20	8	28				M3	M5x0.5	11
6	6	20	5.5	22	3.5	42	25	21	13	18	20	30	5.5	9.5	11	M3	M6x0.75	12
8	8	23	7	26	4	52	32	26	17	25	26	38					6.6	11
10	10	24	6	29.5	6	70	43	35	25	36	24	52	9	-	-	M4	M10x1	16
12	12																M12x1	19
15	15																25	36
20	20	42	10	50	10	95	58	47.5	56	75	M20x1	30						

Corresponding screw & bearing please refer to 2-19 page.